

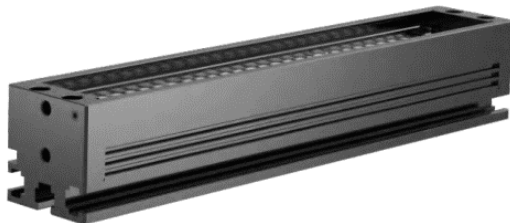
SWIR Light Series

V2.2



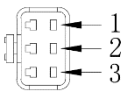
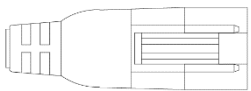

Applications

- Surface defects on organic materials
- Sort foreign material
- Identify different materials
- Material defect inspection



High efficiency LEDs with various wavelengths in the SWIR range.

Technical specifications

Wavelength options	Infrared (IR)	1050nm 1200nm 1300nm 1450nm
Connector	JST-SMR-03V-B (FCB-3)	  <p>1 : +24V 2: NC 3: GND</p>
Operating environment	Temperature Humidity	0~40 °C 20~85 %
Certification	CE / RoHS	
Accessories	VA-CABLE-MVL-FCB3-1m VA-CABLE-MVL-FCB3-3m VA-CABLE-MVL-FCB3-OE-3m VA-CABLE-MVL-FCB3-5m VA-BL3-MB	<p>1 meter extension cable 3 meter extension cable 3 meter open end cable 5 meter extension cable Mounting brackets Bar Lights</p> 
Compatible Power Supply (Dimmable/ Trigger)	VA-PS2-A4-60W-24V VA-PS2-A2-150W-24V VA-PS2-A4-150W-24V VA-PS5-D4-150W-24V	<p>Analog 4 Channel / 24V / Total 60W / Max. 36W per channel Analog 2 Channel / 24V / Total 150W / Max. 72W per channel Analog 4 Channel / 24V / Total 150W / Max. 48W per channel Digital 4 Channel / 24V / Total 150W / Max. 72W per channel</p>

The information provided in this documentation contains general descriptions and/or technical characteristics of the performance of the products contained herein. This documentation is not intended as a substituted for and is not to be used for determining suitability or reliability of these products for specific user applications. It is the duty of any such user or integrator to perform the appropriate and complete risk analysis, evaluation, and testing of the products with respect to the relevant specific application or use thereof. Neither GeT Cameras nor any of its affiliates or subsidiaries shall be responsible or liable for misuse of the information contained herein or incorrect information in this document.

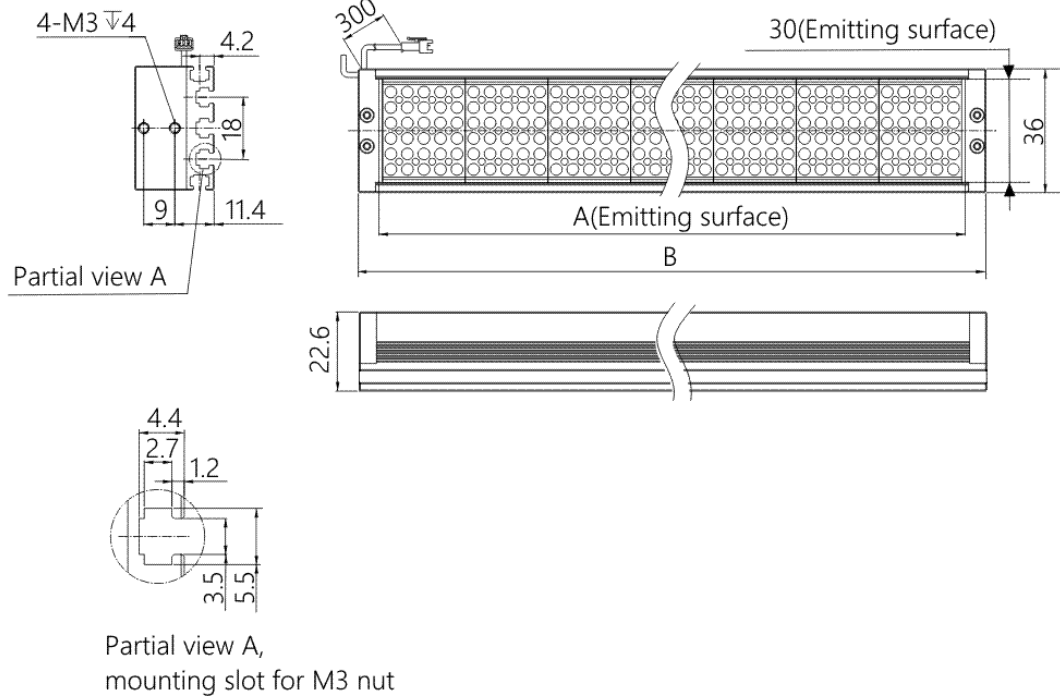
Product table

Model	Type	LED Rows	Emitting surface A (mm)	Voltage	Dimensions B (mm)	Weight (gram)	Express Stock
VA-SWIR-BL-98x30	Bar	6	98x30	24V	110x36x22.6	120	No
VA-SWIR-BL-194x30	Bar	6	194x30	24V	206x36x22.6	80	No
VA-SWIR-BL-290x30	Bar	6	290x30	24V	302x36x22.6	100	No
VA-SWIR-RL-50-75	Ring	3	Ø28xØ90	24V	50x28x16	120	No
VA-SWIR-RL-90-70	Ring	3	Ø50xØ90	24V	90x50x20	150	No
VA-SWIR-RL-120-75	Ring	3	Ø65xØ120	24V	120x65x17	210	No

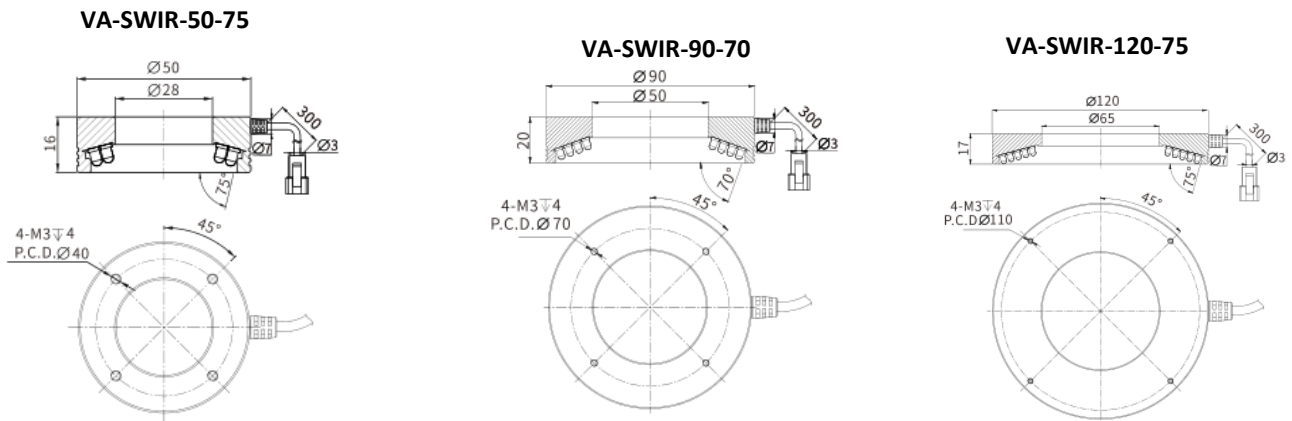
*Tolerance +/- 10%

Technical drawing

Bar



Ring



Product number

VA - SWIR	- Type	- Size	- Wavelength
	BL	98x30	1050nm
	RL	194x30	1200nm
		290x30	1300nm
		50-75	1450nm
		90-70	
		120-75	