

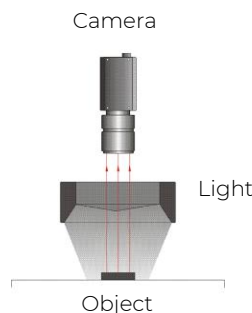
Ring Light Low Angle Series

V2.2



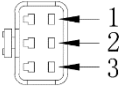
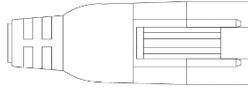
Applications

- OCR Detection on plastic surfaces
- Characters recognition on smaller objects
- Component detection on PCB's



Low angle uniform illumination for reduced shadows.

Technical specifications

Light color	White (W)	6500 – 8500K
	Red (R)	620 – 630nm
	Green (G)	520 – 530nm
	Blue (B)	460 – 475nm
	Infrared (IR)	On request
	Ultraviolet (UV)	On request
Connector	JST-SMR-03V-B (FCB-3)	 
		1 : +24V 2: NC 3: GND
Operating environment	Temperature	0~40 °C
	Humidity	20~85 %
Certification	CE / RoHS	
Accessories	VA-CABLE-MVL-FCB3-1m	1 meter extension cable
	VA-CABLE-MVL-FCB3-3m	3 meter extension cable
	VA-CABLE-MVL-FCB3-OE-3m	3 meter open end cable
	VA-CABLE-MVL-FCB3-5m	5 meter extension cable
Compatible Power Supply (Dimmable/ Trigger)	VA-PS2-A4-60W-24V	Analog 4 Channel / 24V / Total 60W / Max. 36W per channel
	VA-PS2-A2-150W-24V	Analog 2 Channel / 24V / Total 150W / Max. 72W per channel
	VA-PS2-A4-150W-24V	Analog 4 Channel / 24V / Total 150W / Max. 48W per channel
	VA-PS5-D4-150W-24V	Digital 4 Channel / 24V / Total 150W / Max. 72W per channel



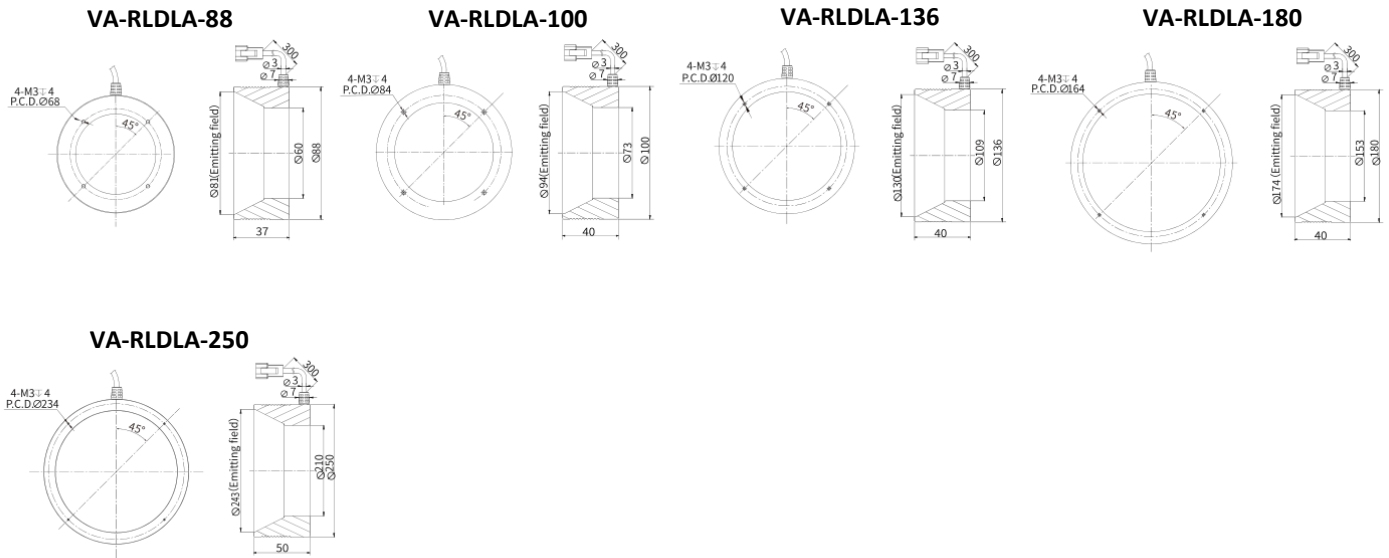
The information provided in this documentation contains general descriptions and/or technical characteristics of the performance of the products contained herein. This documentation is not intended as a substituted for and is not to be used for determining suitability or reliability of these products for specific user applications. It is the duty of any such user or integrator to perform the appropriate and complete risk analysis, evaluation, and testing of the products with respect to the relevant specific application or use thereof. Neither GeT Cameras nor any of its affiliates or subsidiaries shall be responsible or liable for misuse of the information contained herein or incorrect information in this document.

Product table

Model	Color ○ ● ● ●	Voltage	Power (R)*	Power (W/B/G)*	Dimensions (mm)	Weight (gram)	Express Stock
VA-RLDLA-88	W/R/G/B	24V	4.6	7.5	88x60x37	180	No
VA-RLDLA-100	W/R/G/B	24V	4.9	7.8	100x37x40	210	No
VA-RLDLA-136	W/R/G/B	24V	6.6	12.4	136x109x40	300	No
VA-RLDLA-180	W/R/G/B	24V	9.5	13.8	180x153x40	390	No
VA-RLDLA-250	W/R/G/B	24V	13.1	32.8	250x210x50	960	No

*Tolerance +/- 10%

Technical drawing



The information provided in this documentation contains general descriptions and/or technical characteristics of the performance of the products contained herein.

This documentation is not intended as a substituted for and is not to be used for determining suitability or reliability of these products for specific user applications.

It is the duty of any such user or integrator to perform the appropriate and complete risk analysis, evaluation, and testing of the products with respect to the relevant specific application or use thereof. Neither GeT Cameras nor any of its affiliates or subsidiaries shall be responsible or liable for misuse of the information contained herein or incorrect information in this document.

Product number

VA – RLDLA	-	Emitting surface	-	Color
		88		W
		100		R
		136		G
		180		B
		250		IR
				UV