

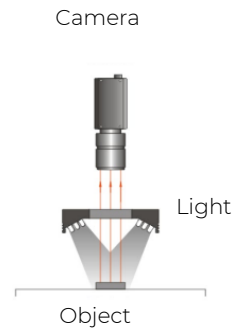
Ring Light Series

V2.2



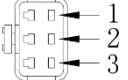

Applications

- 2-dimension code
- Character recognition
- PCB components positioning



High-intensity bright field illumination. LEDs are arranged in flexible circuit boards, getting the high illumination intensity by mainly radiating the central area.

Technical specifications

Light color	White (W)	6500 – 8500K
	Red (R)	620 – 630nm
	Green (G)	520 – 530nm
	Blue (B)	460 – 475nm
	Infrared (IR)	On request
	Ultraviolet (UV)	On request
Connector	JST-SMR-03V-B (FCB-3)	 
		1 : +24V 2: NC 3: GND
Operating environment	Temperature	0~40 °C
	Humidity	20~85 %
Certification	CE / RoHS	
Accessories	VA-CABLE-MVL-FCB3-1m	1 meter extension cable
	VA-CABLE-MVL-FCB3-3m	3 meter extension cable
	VA-CABLE-MVL-FCB3-OE-3m	3 meter open end cable
	VA-CABLE-MVL-FCB3-5m	5 meter extension cable
Compatible Power Supply (Dimmable/ Trigger)	VA-PS2-A4-60W-24V	Analog 4 Channel / 24V / Total 60W / Max. 36W per channel
	VA-PS2-A2-150W-24V	Analog 2 Channel / 24V / Total 150W / Max. 72W per channel
	VA-PS2-A4-150W-24V	Analog 4 Channel / 24V / Total 150W / Max. 48W per channel
	VA-PS5-D4-150W-24V	Digital 4 Channel / 24V / Total 150W / Max. 72W per channel



The information provided in this documentation contains general descriptions and/or technical characteristics of the performance of the products contained herein. This documentation is not intended as a substituted for and is not to be used for determining suitability or reliability of these products for specific user applications. It is the duty of any such user or integrator to perform the appropriate and complete risk analysis, evaluation, and testing of the products with respect to the relevant specific application or use thereof. Neither GeT Cameras nor any of its affiliates or subsidiaries shall be responsible or liable for misuse of the information contained herein or incorrect information in this document.

Product table

Model	Color ○ ● ● ●	LED Rows	Voltage	Angle	Power (R)*	Power (W/B/G)*	Dimensions ODxDxH (mm)	Weight (gram)	Express Stock
VA-RL3-43-70	W/R/G/B	2	24V	70	1.3	2.3	34x10x16	30	No
VA-RL3-37-90	W/R/G/B	2	24V	90	0.9	1.8	37x14x18	35	No
VA-RL3-42-65	W/R/G/B	2	24V	65	1.8	2.3	42x18x18	42	No
VA-RL3-50-45	W/R/G/B	3	24V	45	3.1	3.6	50x20x19	54	No
VA-RL3-50-60	W/R/G/B	2	24V	60	2.2	2.6	50x24x16	46	No
VA-RL3-50-75	W/R/G/B	2	24V	75	1.8	2.6	50x28x16	44	No
VA-RL3-50-90	W/R/G/B	2	24V	90	1.8	3.1	50x25x19	52	No
VA-RL3-60-60	W/R/G/B	2	24V	60	2.6	3	60x33.5x16	60	No
VA-RL3-66-60	W/R/G/B	3	24V	60	4.4	4.4	66x30x17	87	No
VA-RL3-70-45	W/R/G/B	3	24V	45	4.8	5.1	70x38x21	100	No
VA-RL3-70-60	W/R/G/B	3	24V	60	4.4	4.9	70x30x20	114	No
VA-RL3-70-90	W/R/G/B	3	24V	90	4.4	5.8	70x35x22	113	No
VA-RL3-74-60	W/R/G/B	3	24V	60	5.2	5.4	74x35x20	114	No
VA-RL3-90-45	W/R/G/B	3	24V	45	6	6.1	90x56x20.5	129	No
VA-RL3-90-70	W/R/G/B	4	24V	70	6.3	6.3	90x50x20	151	Yes
VA-RL3-100-90	W/R/G/B	5	24V	90	7	7.1	100x40x20	229	No
VA-RL3-110-65	W/R/G/B	5	24V	65	9	9	110x60x25	266	No
VA-RL3-120-50	W/R/G/B	4	24V	50	9.8	9.8	120x80x21	215	No
VA-RL3-120-75	W/R/G/B	5	24V	75	11.4	11.4	120x65x17	240	No
VA-RL3-120-90	W/R/G/B	6	24V	90	11	11.3	120x50x18	311	No
VA-RL3-150-90	W/R/G/B	9	24V	90	13.6	13.7	150x25x22.5	603	No
VA-RL3-180-60	W/R/G/B	5	24V	60	18.9	19	180x126x33	488	No
VA-RL3-210-60	W/R/G/B	6	24V	60	28.8	28.8	210x145x25	691	No

*Tolerance +/- 10%

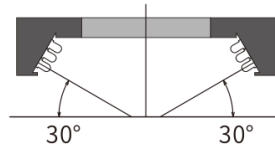
The information provided in this documentation contains general descriptions and/or technical characteristics of the performance of the products contained herein.

This documentation is not intended as a substituted for and is not to be used for determining suitability or reliability of these products for specific user applications.

It is the duty of any such user or integrator to perform the appropriate and complete risk analysis, evaluation, and testing of the products with respect to the relevant specific application or use thereof.

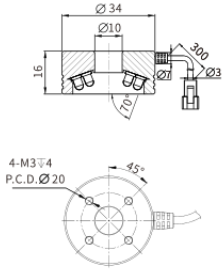
Neither GeT Cameras nor any of its affiliates or subsidiaries shall be responsible or liable for misuse of the information contained herein or incorrect information in this document.

Technical drawing

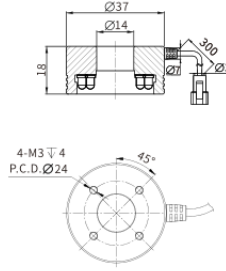


Angle means the one between the light and the horizontal plane

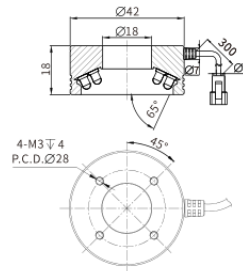
VA-RL3-34-70



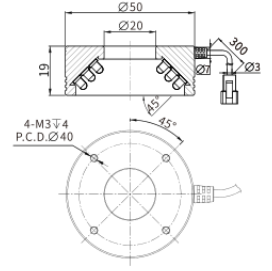
VA-RL3-37-90



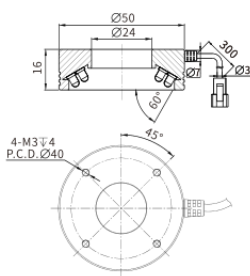
VA-RL3-42-65



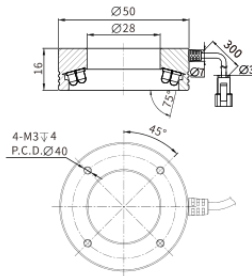
VA-RL3-50-45



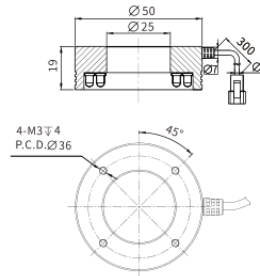
VA-RL3-50-60



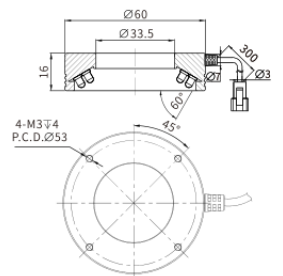
VA-RL3-50-75



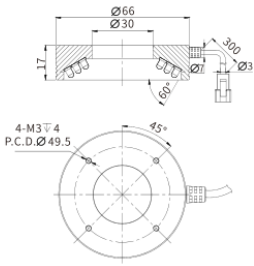
VA-RL3-50-90



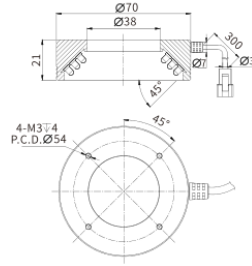
VA-RL3-60-60



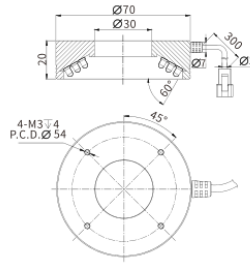
VA-RL3-66-60



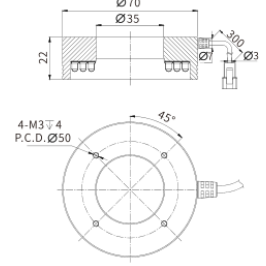
VA-RL3-70-45



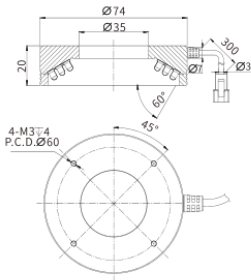
VA-RL3-70-60



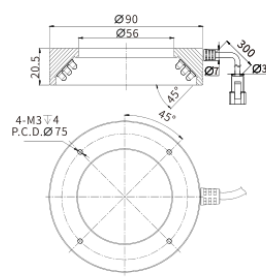
VA-RL3-70-90



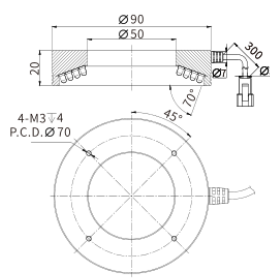
VA-RL3-74-60



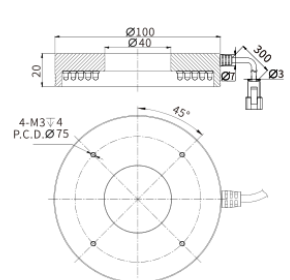
VA-RL3-90-45



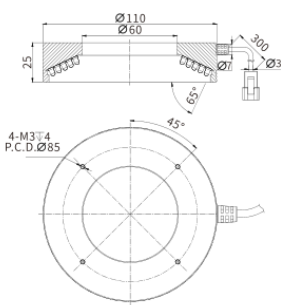
VA-RL3-90-70



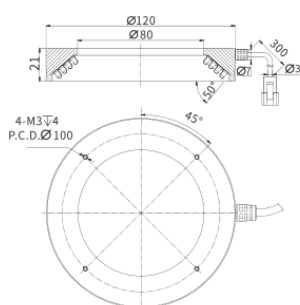
VA-RL3-100-90



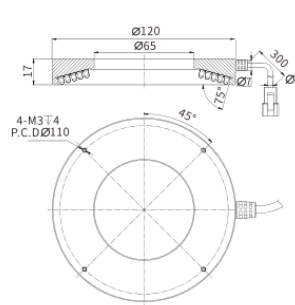
VA-RL3-110-65



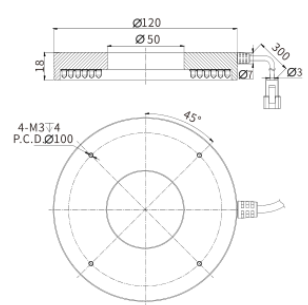
VA-RL3-120-50



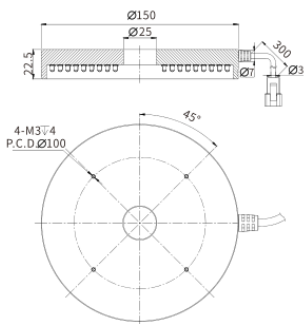
VA-RL3-120-75



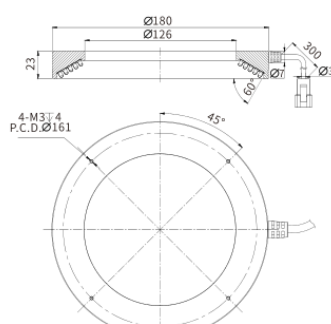
VA-RL3-120-90



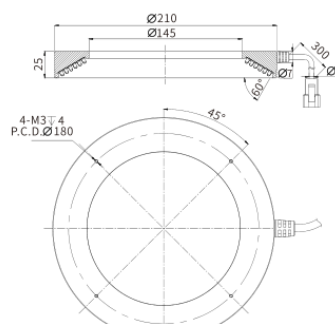
VA-RL3-150-90



VA-RL3-180-60



VA-RL3-210-60



The information provided in this documentation contains general descriptions and/or technical characteristics of the performance of the products contained herein.

This documentation is not intended as a substituted for and is not to be used for determining suitability or reliability of these products for specific user applications.

It is the duty of any such user or integrator to perform the appropriate and complete risk analysis, evaluation, and testing of the products with respect to the relevant specific application or use thereof. Neither GeT Cameras nor any of its affiliates or subsidiaries shall be responsible or liable for misuse of the information contained herein or incorrect information in this document.

Product number

VA – RL3	- Diameter	- Angle	- Color
	34	45	W
	50	60	R
	65	G
		70	B
		90	IR
			UV