

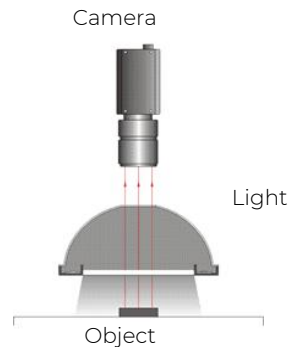
Dome Light Series

V2.2



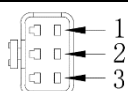
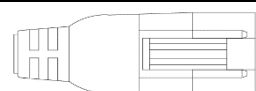
Applications

- Text/Color detection on glossy surfaces
- Curved uneven surfaces
- Inspections of circuit boards



Scattered illumination with high uniformity, eliminating interference from uneven product surfaces.

Technical specifications

Light color	White (W)	5500 – 7000K
	Red (R)	620 – 630nm
	Green (G)	520 – 530nm
	Blue (B)	460 – 475nm
	Infrared (IR)	On request
	Ultraviolet (UV)	On request
Connector	JST-SMR-03V-B (FCB-3)	 
		1 : +24V 2: NC 3: GND
Operating environment	Temperature	0~40 °C
	Humidity	20~85 %
Certification	CE / RoHS	
Accessories	VA-CABLE-MVL-FCB3-1m	1 meter extension cable
	VA-CABLE-MVL-FCB3-3m	3 meter extension cable
	VA-CABLE-MVL-FCB3-OE-3m	3 meter open end cable
	VA-CABLE-MVL-FCB3-5m	5 meter extension cable
Compatible Power Supply (Dimmable/ Trigger)	VA-PS2-A4-60W-24V	Analog 4 Channel / 24V / Total 60W / Max. 36W per channel
	VA-PS2-A2-150W-24V	Analog 2 Channel / 24V / Total 150W / Max. 72W per channel
	VA-PS2-A4-150W-24V	Analog 4 Channel / 24V / Total 150W / Max. 48W per channel
	VA-PS5-D4-150W-24V	Digital 4 Channel / 24V / Total 150W / Max. 72W per channel



The information provided in this documentation contains general descriptions and/or technical characteristics of the performance of the products contained herein. This documentation is not intended as a substituted for and is not to be used for determining suitability or reliability of these products for specific user applications. It is the duty of any such user or integrator to perform the appropriate and complete risk analysis, evaluation, and testing of the products with respect to the relevant specific application or use thereof. Neither GeT Cameras nor any of its affiliates or subsidiaries shall be responsible or liable for misuse of the information contained herein or incorrect information in this document.

Product table

Model	Color ○ ● ● ● ●	Working Distance (mm)	Voltage	Power*	Inner Diameter (mm)	Dimensions (mm)	Weight (gram)	Express Stock
VA-DL2-44	W/R/G/B	15-25	24V	4	12	Ø44x35	74	No
VA-DL2-70	W/R/G/B	15-25	24V	6.5	12	Ø70x34	66	No
VA-DL2-80	W/R/G/B	15-25	24V	8	20	Ø95x47	125	No
VA-DL2-100	W/R/G/B	15-25	24V	12	25	Ø116x67	193	No
VA-DL2-120	W/R/G/B	15-25	24V	24.5	35	Ø134x63.7	236	No
VA-DL2-150	W/R/G/B	15-25	24V	29.5	35	Ø166x83	373	Yes
VA-DL2-180	W/R/G/B	20-50	24V	30	30	Ø198x98	554	No
VA-DL2-210	W/R/G/B	15-25	24V	32	50	Ø230x114	690	No
VA-DL2-250	W/R/G/B	20-50	24V	44	50	Ø266x127.5	828	No
VA-DL2-285	W/R/G/B	20-50	24V	59.5	55	Ø300x150	1053	No

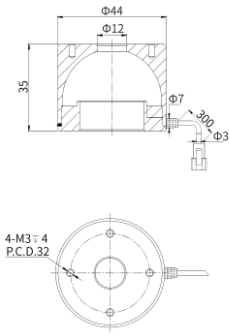
*Tolerance +/- 10%

The information provided in this documentation contains general descriptions and/or technical characteristics of the performance of the products contained herein.

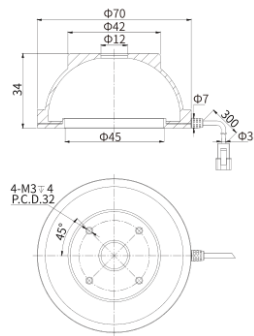
This documentation is not intended as a substituted for and is not to be used for determining suitability or reliability of these products for specific user applications.

It is the duty of any such user or integrator to perform the appropriate and complete risk analysis, evaluation, and testing of the products with respect to the relevant specific application or use thereof. Neither GeT Cameras nor any of its affiliates or subsidiaries shall be responsible or liable for misuse of the information contained herein or incorrect information in this document.

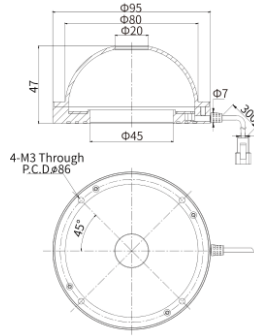
VA-DL2-44



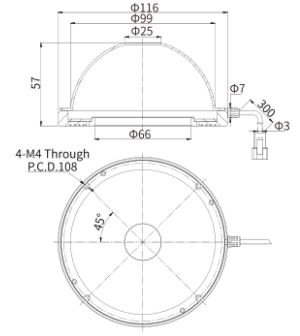
VA-DL2-70



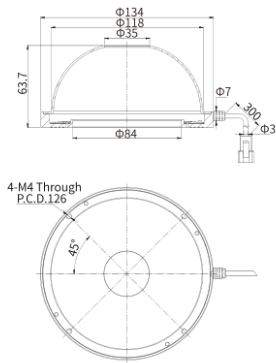
VA-DL2-80



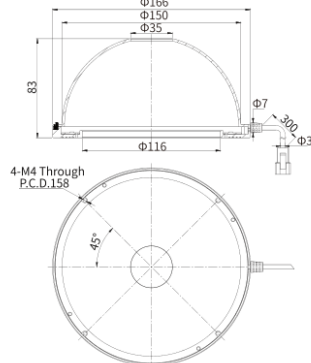
VA-DL2-100



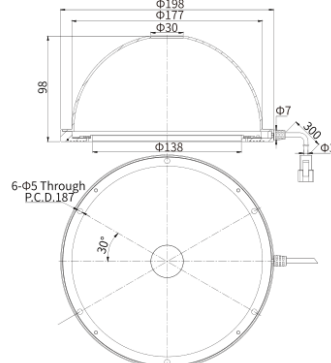
VA-DL2-120



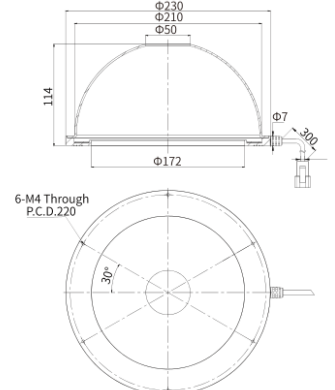
VA-DL2-150



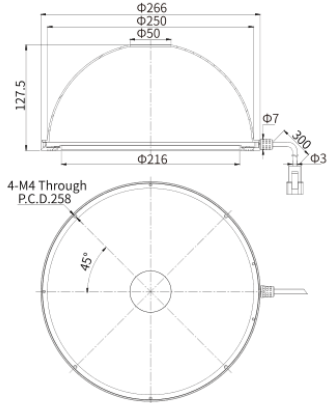
VA-DL2-180



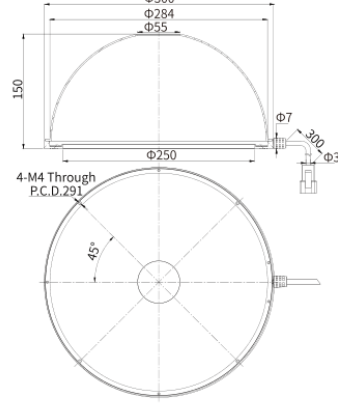
VA-DL2-210



VA-DL2-250



VA-DL2-285



The information provided in this documentation contains general descriptions and/or technical characteristics of the performance of the products contained herein. This documentation is not intended as a substituted for and is not to be used for determining suitability or reliability of these products for specific user applications. It is the duty of any such user or integrator to perform the appropriate and complete risk analysis, evaluation, and testing of the products with respect to the relevant specific application or use thereof. Neither GeT Cameras nor any of its affiliates or subsidiaries shall be responsible or liable for misuse of the information contained herein or incorrect information in this document.

Product number

VA- DL2	- Model	- Color
	44	W
	70	R
	80	G
	100	B
	120	
	150	
	180	
	210	
	250	
	285	