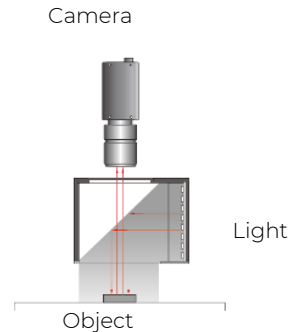


Coaxial Light 2 Series

V2.2

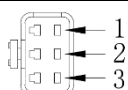
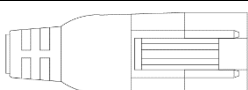
Applications

- Surface scratch detection on metal surfaces
- Inspection of PCB boards
- Detection of tabs on battery cells



Coaxial lights are suited for machine vision tasks where precise imaging and minimal reflections or shadows are crucial. Commonly used in inspections where a direct, on-axis light source is necessary to capture fine details without interference.

Technical specifications

| | | |
|---|---|--|
| Light color | White (W) Red (R) Green (G) Blue (B) Infrared (IR) Ultraviolet (UV) | 5800 – 7300K 620 – 630nm 520 – 530nm 460 – 475nm On request On request |
| Connector | JST-SMR-03V-B (FCB-3) |   1 : +24V 2: NC 3: GND |
| Operating environment | Temperature Humidity | 0~40 °C 20~85 % |
| Certification | CE / RoHS | |
| Accessories | VA-CABLE-MVL-FCB3-1m VA-CABLE-MVL-FCB3-3m VA-CABLE-MVL-FCB3-OE-3m VA-CABLE-MVL-FCB3-5m | 1 meter extension cable 3 meter extension cable 3 meter open end cable 5 meter extension cable |
| Compatible Power Supply (Dimmable/Trigger) | VA-PS2-A4-60W-24V VA-PS2-A2-150W-24V VA-PS2-A4-150W-24V VA-PS5-D4-150W-24V | Analog 4 Channel / 24V / Total 60W / Max. 36W per channel Analog 2 Channel / 24V / Total 150W / Max. 72W per channel Analog 4 Channel / 24V / Total 150W / Max. 48W per channel Digital 4 Channel / 24V / Total 150W / Max. 72W per channel |



The information provided in this documentation contains general descriptions and/or technical characteristics of the performance of the products contained herein. This documentation is not intended as a substituted for and is not to be used for determining suitability or reliability of these products for specific user applications. It is the duty of any such user or integrator to perform the appropriate and complete risk analysis, evaluation, and testing of the products with respect to the relevant specific application or use thereof. Neither GeT Cameras nor any of its affiliates or subsidiaries shall be responsible or liable for misuse of the information contained herein or incorrect information in this document..

Product table

| Model | Color ○ ● ● ● | Voltage | Power (R)* | Power (W/B/G)* | Dimensions B (mm) | Weight (gram) | Express Stock |
|-----------------|------------------|---------|---------------|-------------------|----------------------|------------------|------------------|
| VA-COL2-20 | W/R/G/B | 24V | 2.2 | 2.1 | 64x31x27 | 110 | No |
| VA-COL2-30 | W/R/G/B | 24V | 1.8 | 2.5 | 74x40x37 | 135 | No |
| VA-COL2-40 | W/R/G/B | 24V | 2.7 | 3.7 | 86x50x47 | 220 | No |
| VA-COL2-50 | W/R/G/B | 24V | 5.3 | 6.1 | 96x60x57 | 320 | No |
| VA-COL2-60 | W/R/G/B | 24V | 7.2 | 9.8 | 106x70x67 | 420 | No |
| VA-COL2-70 | W/R/G/B | 24V | 10.1 | 12 | 120x85.4x79 | 590 | No |
| VA-COL2-80 | W/R/G/B | 24V | 13.2 | 17.1 | 130x95.4x89 | 710 | No |
| VA-COL2-100 | W/R/G/B | 24V | 17.7 | 26.8 | 146x110x107 | 1010 | White |
| VA-COL2-120 | W/R/G/B | 24V | 21.2 | 27 | 166x130x127 | 1400 | No |
| VA-COL2-150x120 | W/R/G/B | 24V | 22.5 | 20.7 | 166x160x127 | 1660 | No |
| VA-COL2-200x180 | W/R/G/B | 24V | 24.2 | 25.2 | 310x212x187 | 4800 | No |

*Tolerance +/- 10%

The information provided in this documentation contains general descriptions and/or technical characteristics of the performance of the products contained herein.

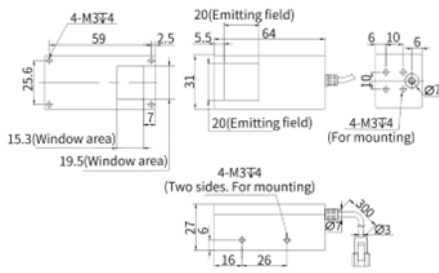
This documentation is not intended as a substituted for and is not to be used for determining suitability or reliability of these products for specific user applications.

It is the duty of any such user or integrator to perform the appropriate and complete risk analysis, evaluation, and testing of the products with respect to the relevant specific application or use thereof.

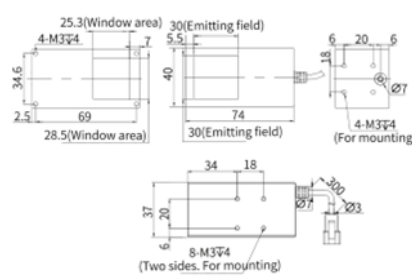
Neither GeT Cameras nor any of its affiliates or subsidiaries shall be responsible or liable for misuse of the information contained herein or incorrect information in this document.

Technical drawing

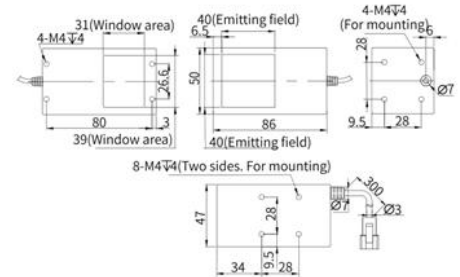
VA-COL2-20



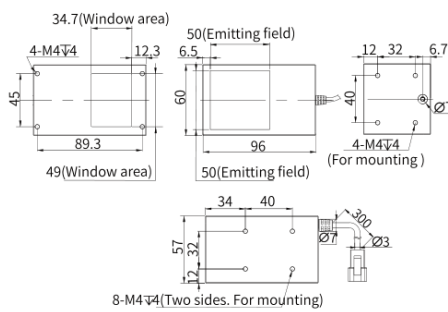
VA-COL2-30



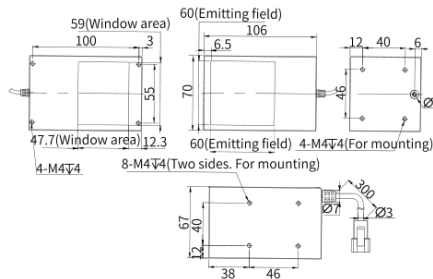
VA-COL2-40



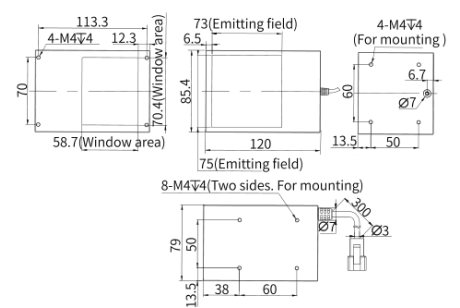
VA-COL2-50



VA-COL2-60

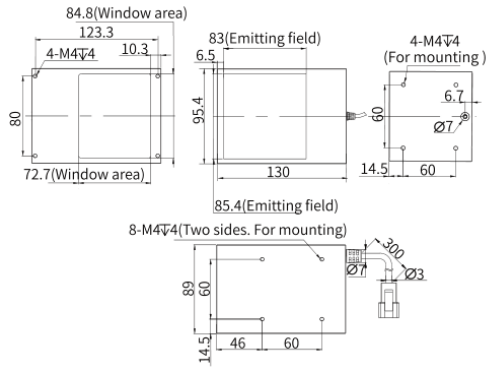


VA-COL2-70

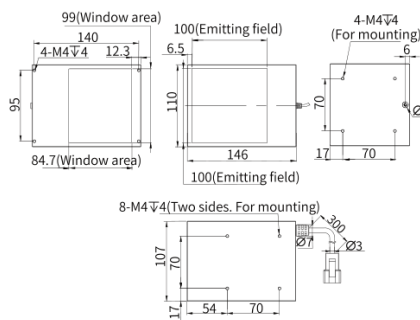


The information provided in this documentation contains general descriptions and/or technical characteristics of the performance of the products contained herein. This documentation is not intended as a substituted for and is not to be used for determining suitability or reliability of these products for specific user applications. It is the duty of any such user or integrator to perform the appropriate and complete risk analysis, evaluation, and testing of the products with respect to the relevant specific application or use thereof. Neither GeT Cameras nor any of its affiliates or subsidiaries shall be responsible or liable for misuse of the information contained herein or incorrect information in this document.

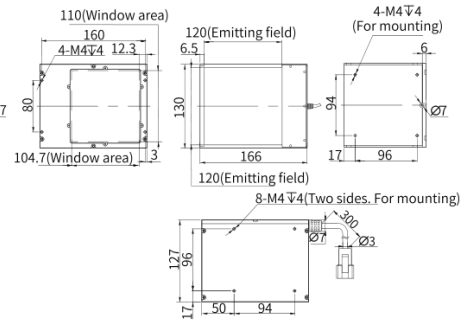
VA-COL2-80



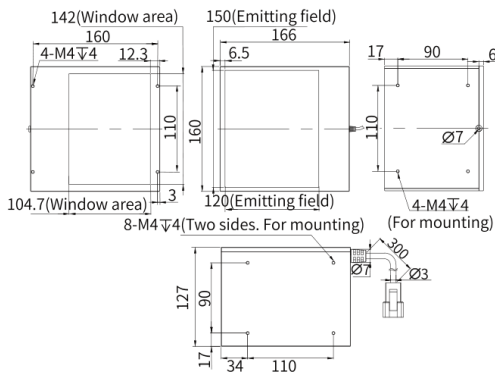
VA-COL2-100



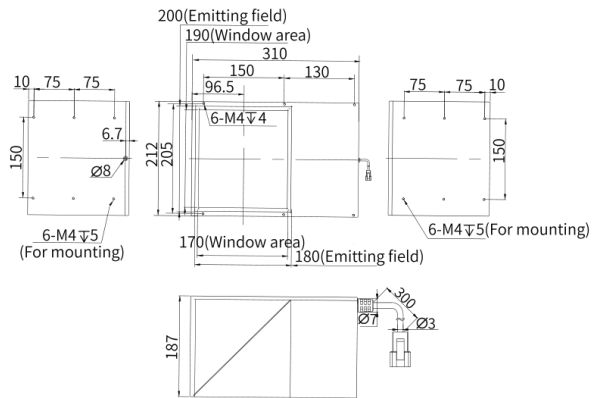
VA-COL2-120



VA-COL2-150x120



VA-COL2-200x180



Product number

| | | | | |
|------------------|---|-------------|---|--------------|
| VA – COL2 | - | Size | - | Color |
| | | 20 | | W |
| | | 30 | | R |
| | | 40 | | G |
| | | 50 | | B |
| | | 60 | | |
| | | | | |