

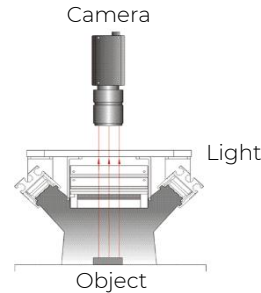
# Bar Light Combined 3 Series

V2.2



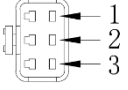
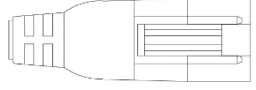
## Applications

- Position and identification of large-field object
- Absence inspection of PCB components
- Directional defect inspection of scratches



Free angle adjustment. The intensity of each light can be controlled independently.

## Technical specifications

<b>Light color</b>	White (W)	5800 – 7300K
	Red (R)	620 – 630nm
	Green (G)	520 – 530nm
	Blue (B)	460 – 475nm
	Infrared (IR)	On request
	Ultraviolet (UV)	On request
<b>Options</b>	Diffusor	Default assembled, removable by user
	Polarizer	On request
<b>Connector</b>	JST-SMR-03V-B (FCB-3)	 
		1 : +24V 2: NC 3: GND
<b>Operating environment</b>	Temperature	0~40 °C
	Humidity	20~85 %
<b>Certification</b>	CE / RoHS	
<b>Accessories</b>	VA-CABLE-MVL-FCB3-1m	1 meter extension cable
	VA-CABLE-MVL-FCB3-3m	3 meter extension cable
	VA-CABLE-MVL-FCB3-OE-3m	3 meter open end cable
	VA-CABLE-MVL-FCB3-5m	5 meter extension cable
<b>Compatible Power Supply (Dimmable/ Trigger)</b>	VA-PS2-A4-60W-24V	Analog 4 Channel / 24V / Total 60W / Max. 36W per channel
	VA-PS5-D4-150W-24V	Digital 4 Channel / 24V / Total 150W / Max. 72W per channel
<b>Light color</b>	White (W)	5800 – 7300K
	Red (R)	620 – 630nm
	Green (G)	520 – 530nm
	Blue (B)	460 – 475nm
	Infrared (IR)	On request
	Ultraviolet (UV)	On request



The information provided in this documentation contains general descriptions and/or technical characteristics of the performance of the products contained herein. This documentation is not intended as a substituted for and is not to be used for determining suitability or reliability of these products for specific user applications. It is the duty of any such user or integrator to perform the appropriate and complete risk analysis, evaluation, and testing of the products with respect to the relevant specific application or use thereof. Neither GeT Cameras nor any of its affiliates or subsidiaries shall be responsible or liable for misuse of the information contained herein or incorrect information in this document.

## Product table

Model	Color ○ ● ● ●	Camera Window (mm)	Voltage	Power (R)*	Power (W/B/G)*	Dimensions B (mm)	Express Stock
VA-BLM3-41x41	W/R/G/B	41x16	24V	4x1.3W	4x1.7W	112x112x37.5	No
VA-BLM3-80x41	W/R/G/B	101.5x62.5	24V	4x2.7W+4x1.3W	4x3.4W+4x1.3W	280x280x37.5	No
VA-BLM3-80x80	W/R/G/B	101.5x101.5	24V	4x2.7W	4x3.4W	151x151x37.5	No
VA-BLM3-119x119	W/R/G/B	140.5*140.5	24V	4x4W	4x5.1W	190x190x37.5	No
VA-BLM3-218x146	W/R/G/B	235.5x163.5	24V	2x7.8W+2x5.2W	2x13.7W+2x8.7W	307.5x235.5x37.5	No
VA-BLM3-218x218	W/R/G/B	235.5x235.5	24V	4x7.8W	4x13.7W	307.5x307.5x37.5	No
VA-BLM3-290x290	W/R/G/B	307.5x307.5	24V	4x10.5W	4x18.2W	379.5x379.5x37.5	No
VA-BLM3-386x386	W/R/G/B	403.5x403.5	24V	4x14.6W	4x25.3W	475.5x475.5x37.5	No

\*Tolerance +/- 10%

The information provided in this documentation contains general descriptions and/or technical characteristics of the performance of the products contained herein.

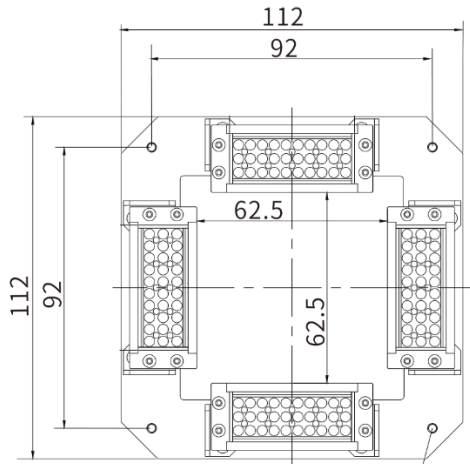
This documentation is not intended as a substituted for and is not to be used for determining suitability or reliability of these products for specific user applications.

It is the duty of any such user or integrator to perform the appropriate and complete risk analysis, evaluation, and testing of the products with respect to the relevant specific application or use thereof.

Neither GeT Cameras nor any of its affiliates or subsidiaries shall be responsible or liable for misuse of the information contained herein or incorrect information in this document.

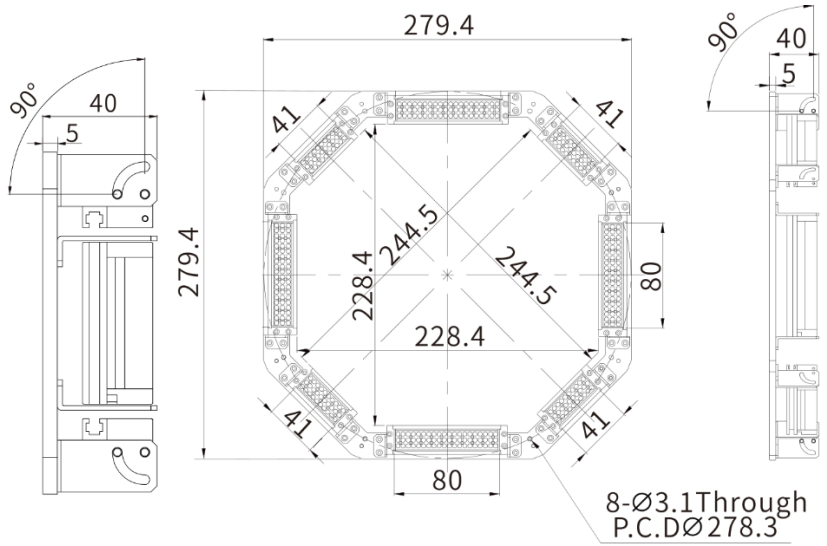
# Technical drawing

**VA-BLM3-41x41**

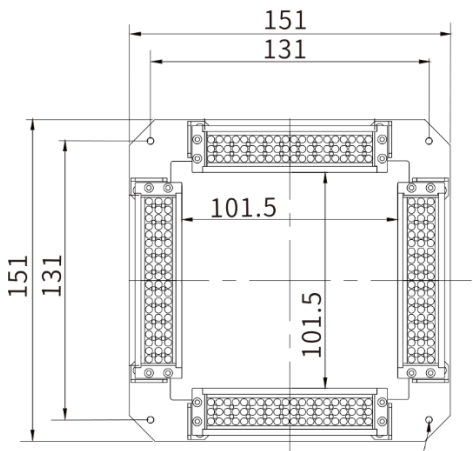


4-M3(For installation)

**VA-BLM3-80x41**

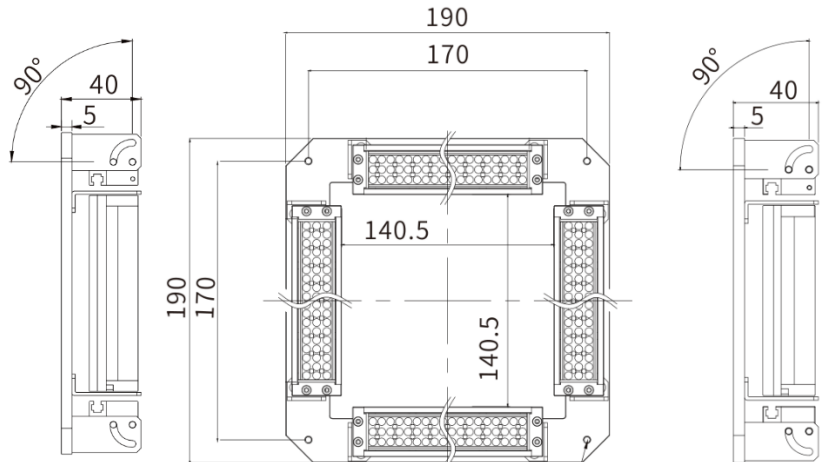


**VA-BLM3-80x80**



4-M3(For installation)

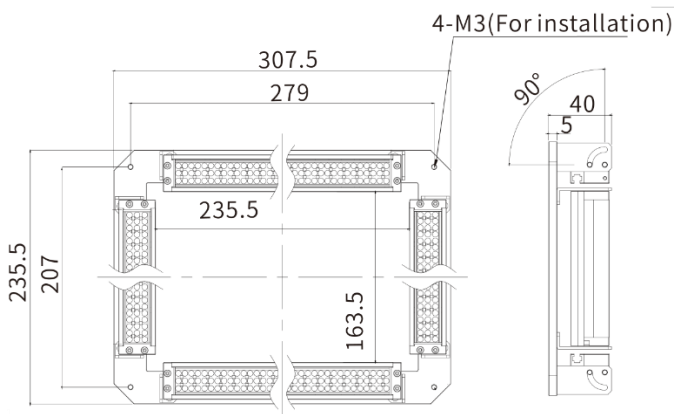
**VA-BLM3-190x190**



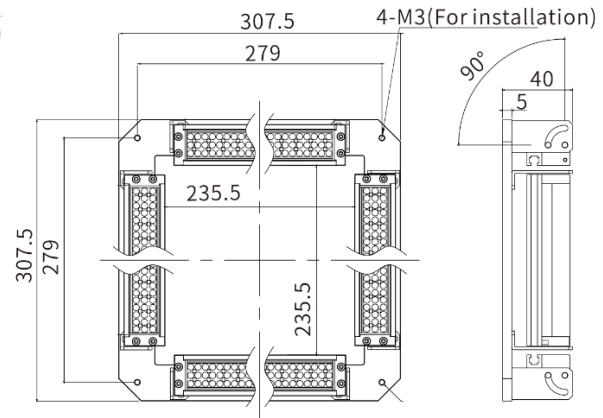
4-M3(For installation)

The information provided in this documentation contains general descriptions and/or technical characteristics of the performance of the products contained herein. This documentation is not intended as a substituted for and is not to be used for determining suitability or reliability of these products for specific user applications. It is the duty of any such user or integrator to perform the appropriate and complete risk analysis, evaluation, and testing of the products with respect to the relevant specific application or use thereof. Neither GeT Cameras nor any of its affiliates or subsidiaries shall be responsible or liable for misuse of the information contained herein or incorrect information in this document.

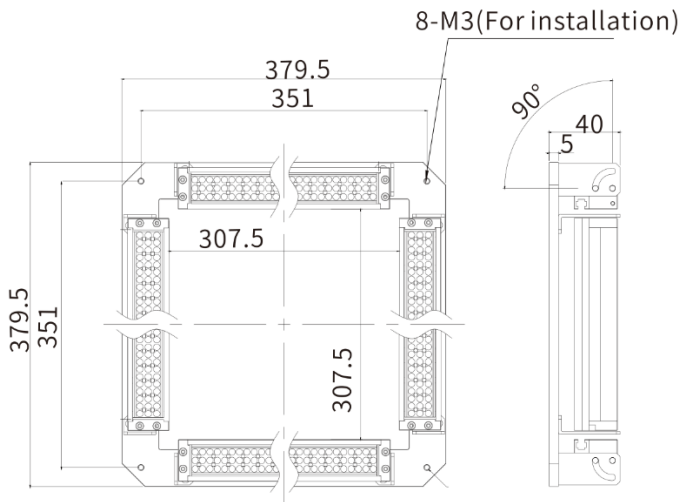
**VA-BLM3-218x146**



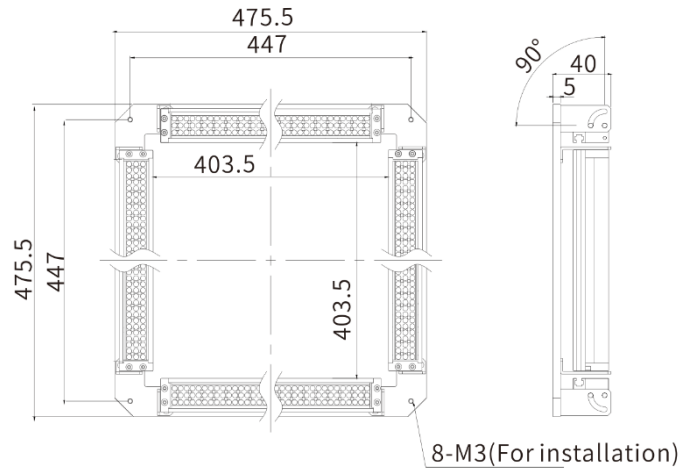
**VA-BLM3-218x218**



**VA-BLM3-290x290**



**VA-BLM3-386x386**



## Product number

<b>VA - BLM3</b>	- <b>Emitting surface</b>	- <b>Color</b>
	41x41	W
	.....	R
		G
		B