

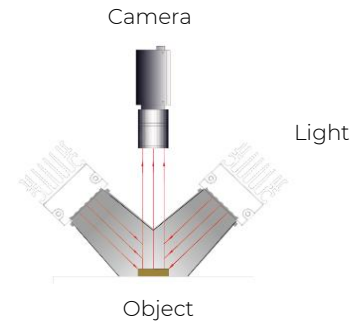
# Bar Light Long Distance Series

V2.2



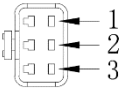
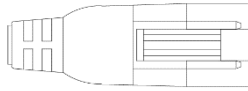
## Applications:

- Logistics
- Robots pick and place
- Inspection of fruits and vegetables
- Defect sorting



LED light bar with special optical lenses. For long distance illumination. High efficiency LEDs.

## Technical specifications

<b>Light color</b>	White (W)	5800 – 7300K
<b>Opening angle</b>	15°	
<b>Options</b>	Diffusor	DIF (add to part number)
<b>Connector</b>	JST-SMR-03V-B (FCB-3)	 
		1 : +24V 2: NC 3: GND
<b>Operating environment</b>	Temperature	0~40 °C
	Humidity	20~85 %
<b>Certification</b>	CE / RoHS	
<b>Accessories</b>	VA-CABLE-MVL-FCB3-1m	1 meter extension cable
	VA-CABLE-MVL-FCB3-3m	3 meter extension cable
	VA-CABLE-MVL-FCB3-OE-3m	3 meter open end cable
	VA-CABLE-MVL-FCB3-5m	5 meter extension cable
	VA-BL3-MB	Mounting brackets



The information provided in this documentation contains general descriptions and/or technical characteristics of the performance of the products contained herein. This documentation is not intended as a substituted for and is not to be used for determining suitability or reliability of these products for specific user applications. It is the duty of any such user or integrator to perform the appropriate and complete risk analysis, evaluation, and testing of the products with respect to the relevant specific application or use thereof. Neither GeT Cameras nor any of its affiliates or subsidiaries shall be responsible or liable for misuse of the information contained herein or incorrect information in this document.

## Product table

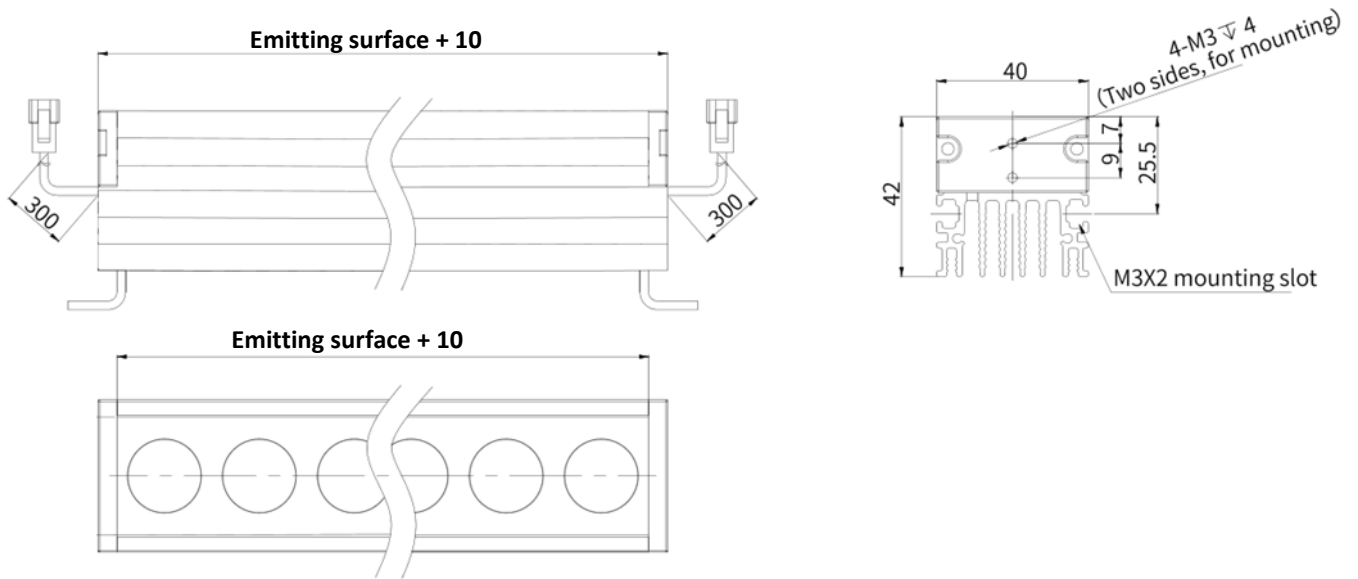


Model	Color ○	Channel	Voltage	Power (W)*	Dimensions (mm)	Weight (gram)	Express Stock
VA-BLLD-150x30	W	1	24V	15	160x40x42	287	No
VA-BLLD-300x30	W	1	24V	30	310x40x42	546	Yes
VA-BLLD-450x30	W	1	24V	45	460x40x42	805	No
VA-BLLD-600x30	W	1	24V	60	610x40x42	1064	No
VA-BLLD-750x30	W	1	24V	70	760x40x42	1323	No
VA-BLLD-900x30	W	2	24V	90	910x40x42	1582	No
VA-BLLD-1050x30	W	2	24V	105	1060x40x42	1841	No
VA-BLLD-1200x30	W	2	24V	120	1210x40x42	2100	No
VA-BLLD-1500x30	W	2	24V	140	1510x40x42	2400	No

\*Tolerance +/- 10%

The information provided in this documentation contains general descriptions and/or technical characteristics of the performance of the products contained herein. This documentation is not intended as a substituted for and is not to be used for determining suitability or reliability of these products for specific user applications. It is the duty of any such user or integrator to perform the appropriate and complete risk analysis, evaluation, and testing of the products with respect to the relevant specific application or use thereof. Neither GeT Cameras nor any of its affiliates or subsidiaries shall be responsible or liable for misuse of the information contained herein or incorrect information in this document.

## Technical drawing



## Product number

VA - BLLD      -    **Emitting surface**  
                         150x30  
                         .....

-    **Color**  
         W

-    **Option**  
         DIF