

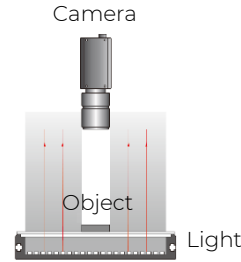
Bottom Lit Collimated Backlight Series

V2.2



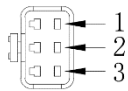
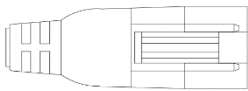
Applications

- Dimension measuring
- Robots pick and place
- Inspections of translucent objects
- Contour defect check



Large field backlight illumination.

Technical specifications

Light color	White (W)	5800 – 7300K
	Red (R)	620 – 630nm
	Green (G)	520 – 530nm
	Blue (B)	460 – 475nm
Connector	JST-SMR-03V-B (FCB-3)	 
		1 : +24V 2: NC 3: GND
Operating environment	Temperature	0~40 °C
	Humidity	20~85 %
Certification	CE / RoHS	
Accessories	VA-CABLE-MVL-FCB3-1m	1 meter extension cable
	VA-CABLE-MVL-FCB3-3m	3 meter extension cable
	VA-CABLE-MVL-FCB3-OE-3m	3 meter open end cable
	VA-CABLE-MVL-FCB3-5m	5 meter extension cable
Compatible Power Supply (Dimmable/ Trigger)	VA-PS2-A4-60W-24V	Analog 4 Channel / 24V / Total 60W / Max. 36W per channel
	VA-PS2-A2-150W-24V	Analog 2 Channel / 24V / Total 150W / Max. 72W per channel
	VA-PS2-A4-150W-24V	Analog 4 Channel / 24V / Total 150W / Max. 48W per channel
	VA-PS5-D4-150W-24V	Digital 4 Channel / 24V / Total 150W / Max. 72W per channel



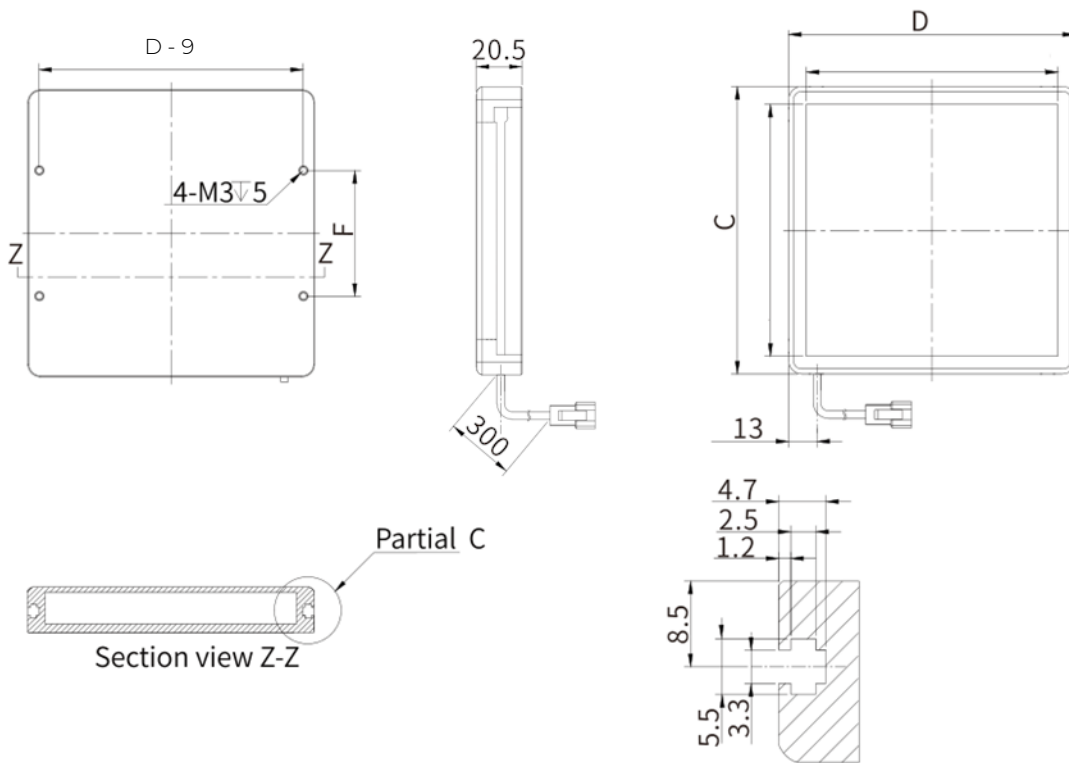
The information provided in this documentation contains general descriptions and/or technical characteristics of the performance of the products contained herein. This documentation is not intended as a substituted for and is not to be used for determining suitability or reliability of these products for specific user applications. It is the duty of any such user or integrator to perform the appropriate and complete risk analysis, evaluation, and testing of the products with respect to the relevant specific application or use thereof. Neither VA Imaging nor any of its affiliates or subsidiaries shall be responsible or liable for misuse of the information contained herein or incorrect information in this document.

Product table

Model	Color ○ ● ● ●	Emitting surface, A (mm)	Voltage	Power (R)*	Power (W/G/B)*	Dimensions C x D (mm)	Dimension F (mm)	Weight (gram)	Express Stock
VA-BLBL2-27x27	W/R/G/B	27x27	24V	1.1	2.8	41x41x20.5	18	60	No
VA-BLBL2-43x35	W/R/G/B	43x35	24V	1.9	2.8	57x49x20.5	18	85	No
VA-BLBL2-51x51	W/R/G/B	51x51	24V	4.2	4.4	65x65x20.5	18	115	No
VA-BLBL2-63x60	W/R/G/B	63x60	24V	4.1	5.1	77x74x20.5	25	150	No
VA-BLBL2-83x75	W/R/G/B	83x75	24V	5.5	5.2	97x89x20.5	50	210	No
VA-BLBL2-100x100	W/R/G/B	100x100	24V	9.5	10	114x114x20.5	50	285	No
VA-BLBL2-140x105	W/R/G/B	140x105	24V	13.8	13.9	154x119x20.5	80	390	No
VA-BLBL2-160x120	W/R/G/B	160x120	24V	16.6	17.4	174x134x20.5	80	460	No
VA-BLBL2-200x50	W/R/G/B	200x50	24V	9.9	20	214x64x20.5	80	475	No
VA-BLBL2-200x150	W/R/G/B	200x150	24V	28.8	30.2	214x164x20.5	80	600	No
VA-BLBL2-224x170	W/R/G/B	224x170	24V	30.2	33.7	238x184x20.5	80	690	No
VA-BLBL2-211x200	W/R/G/B	211x200	24V	24.2	24.2	225x214x20.5	80	890	No

*Tolerance +/- 10%

Technical drawing



Partial C

Section view Z-Z

Partial C,
Four sides, M3 screw, for mounting

Product number

VA – BLBL2	-	Emitting surface	-	Color	-	COL
		27x27		W		
			R		
				G		
				B		