

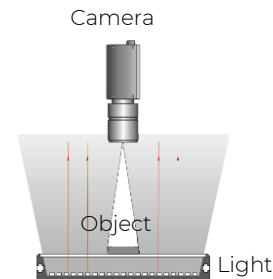
Bottom Lit Backlight Series

V2.2



Applications:

- Dimension measuring
- Robots pick and place
- Inspections of translucent objects
- Contour defect check



Technical specifications

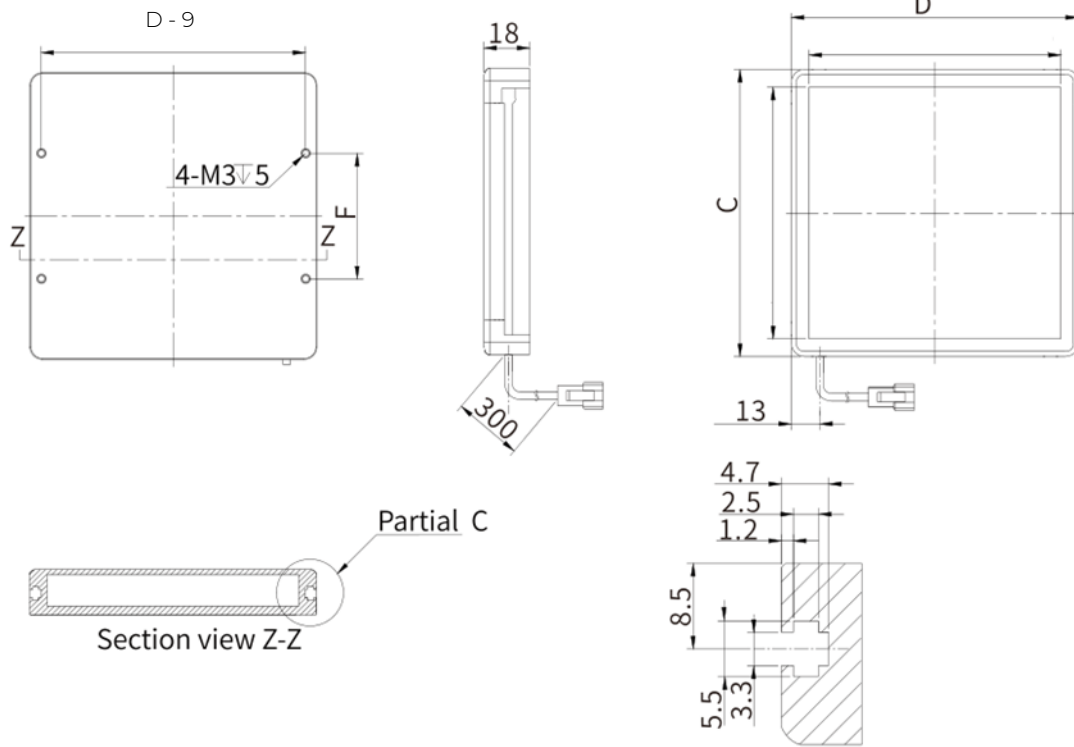
Light color	White (W)	5800 – 7300K
	Red (R)	620 – 630nm
	Green (G)	520 – 530nm
	Blue (B)	460 – 475nm
	Infrared (IR)	On request
	Ultraviolet (UV)	On request
Connector	JST-SMR-03V-B	
	(FCB-3)	
		1: +24V 2: NC 3: GND
Operating environment	Temperature	0~40 °C
	Humidity	20~85 %
Certification	CE / RoHS	
Accessories	VA-CABLE-MVL-FCB3-1m	1 meter extension cable
	VA-CABLE-MVL-FCB3-3m	3 meter extension cable
	VA-CABLE-MVL-FCB3-OE-3m	3 meter open end cable
	VA-CABLE-MVL-FCB3-5m	5 meter extension cable
Compatible Power Supply (Dimmable/ Trigger)	VA-PS2-A4-60W-24V	Analog 4 Channel / 24V / Total 60W / Max. 36W per channel
	VA-PS2-A2-150W-24V	Analog 2 Channel / 24V / Total 150W / Max. 72W per channel
	VA-PS2-A4-150W-24V	Analog 4 Channel / 24V / Total 150W / Max. 48W per channel
	VA-PS5-D4-150W-24V	Digital 4 Channel / 24V / Total 150W / Max. 72W per channel

The information provided in this documentation contains general descriptions and/or technical characteristics of the performance of the products contained herein. This documentation is not intended as a substituted for and is not to be used for determining suitability or reliability of these products for specific user applications. It is the duty of any such user or integrator to perform the appropriate and complete risk analysis, evaluation, and testing of the products with respect to the relevant specific application or use thereof. Neither VA Imaging nor any of its affiliates or subsidiaries shall be responsible or liable for misuse of the information contained herein or incorrect information in this document.

Product table

Model	Color ○ ● ● ●	Emitting surface A (mm)	Voltage	Power (R)*	Power (W/G/B)*	Dimensions (mm)	Dimension F (mm)	Weight (gram)	Express Stock
VA-BLBL2-27x27	W/R/G/B	27x27	24V	1.1	2.8	41x41x18	18	53	No
VA-BLBL2-43x35	W/R/G/B	43x35	24V	1.9	2.8	57x49x18	18	75	No
VA-BLBL2-51x51	W/R/G/B	51x51	24V	4.2	4.4	65x65x18	18	100	No
VA-BLBL2-63x60	W/R/G/B	63x60	24V	4.1	5.1	77x74x18	25	130	No
VA-BLBL2-83x75	W/R/G/B	83x75	24V	5.5	5.2	97x89x18	50	180	No
VA-BLBL2-100x100	W/R/G/B	100x100	24V	9.5	10	114x114x18	50	245	White
VA-BLBL2-140x105	W/R/G/B	140x105	24V	13.8	13.9	154x119x18	80	335	No
VA-BLBL2-160x120	W/R/G/B	160x120	24V	16.6	17.4	174x134x18	80	400	No
VA-BLBL2-200x50	W/R/G/B	200x50	24V	9.9	20	214x64x18	80	410	No
VA-BLBL2-200x150	W/R/G/B	200x150	24V	28.8	30.2	214x164x18	80	520	No
VA-BLBL2-224x170	W/R/G/B	224x170	24V	30.2	33.7	238x184x18	80	600	No
VA-BLBL2-211x200	W/R/G/B	211x200	24V	24.2	24.2	225x214x18	80	770	No

*Tolerance +/- 10%



Partial C,
Four sides, M3 screw, for mounting

The information provided in this documentation contains general descriptions and/or technical characteristics of the performance of the products contained herein. This documentation is not intended as a substituted for and is not to be used for determining suitability or reliability of these products for specific user applications. It is the duty of any such user or integrator to perform the appropriate and complete risk analysis, evaluation, and testing of the products with respect to the relevant specific application or use thereof. Neither VA Imaging nor any of its affiliates or subsidiaries shall be responsible or liable for misuse of the information contained herein or incorrect information in this document.

Product number



VA – BLBL2	- Emitting surface	- Color
	27x27	W
	R
		G
		B

The information provided in this documentation contains general descriptions and/or technical characteristics of the performance of the products contained herein. This documentation is not intended as a substituted for and is not to be used for determining suitability or reliability of these products for specific user applications. It is the duty of any such user or integrator to perform the appropriate and complete risk analysis, evaluation, and testing of the products with respect to the relevant specific application or use thereof. Neither VA Imaging nor any of its affiliates or subsidiaries shall be responsible or liable for misuse of the information contained herein or incorrect information in this document.