

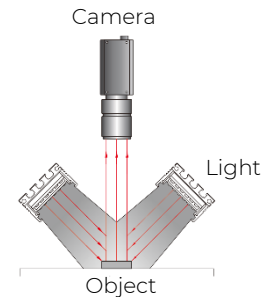
Bar Light Series

V2.2



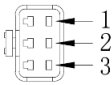
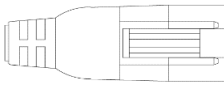

Applications

- Surface defects on metal parts
- Characters inspection on printed material
- Absence inspection of PCB components
- Position and recognition inspection of large field objects



SMD LEDs with special optical lens. High efficiency LEDs.

Technical specifications

Light color	White (W)	5800 – 7300K
	Red (R)	620 – 630nm
	Green (G)	520 – 530nm
	Blue (B)	460 – 475nm
	Infrared (IR)	On request
	Ultraviolet (UV)	On request
Opening angle	120°	
Options	Diffusor	Included, user removable
	Polarizer	POL (add to part number)
Connector	JST-SMR-03V-B (FCB-3)	 
		1 : +24V 2: NC 3: GND
Operating environment	Temperature	0~40 °C
	Humidity	20~85 %
Certification	CE / RoHS	
Accessories	VA-CABLE-MVL-FCB3-1m	1 meter extension cable
	VA-CABLE-MVL-FCB3-3m	3 meter extension cable
	VA-CABLE-MVL-FCB3-OE-3m	3 meter open end cable
	VA-CABLE-MVL-FCB3-5m	5 meter extension cable
	VA-BL3-MB	Mounting brackets
		
Compatible Power Supply (Dimmable/ Trigger)	VA-PS2-A4-60W-24V	Analog 4 Channel / 24V / Total 60W / Max. 36W per channel
	VA-PS2-A2-150W-24V	Analog 2 Channel / 24V / Total 150W / Max. 72W per channel
	VA-PS2-A4-150W-24V	Analog 4 Channel / 24V / Total 150W / Max. 48W per channel
	VA-PS5-D4-150W-24V	Digital 4 Channel / 24V / Total 150W / Max. 72W per channel

The information provided in this documentation contains general descriptions and/or technical characteristics of the performance of the products contained herein. This documentation is not intended as a substituted for and is not to be used for determining suitability or reliability of these products for specific user applications. It is the duty of any such user or integrator to perform the appropriate and complete risk analysis, evaluation, and testing of the products with respect to the relevant specific application or use thereof. Neither GeT Cameras nor any of its affiliates or subsidiaries shall be responsible or liable for misuse of the information contained herein or incorrect information in this document..

Product table

Model	Color ○ ● ● ●	LED Rows	Emitting surface A (mm)	Voltage	Power (R)*	Power (W/B/G)*	Dimensions B (mm)	Weight (gram)	Express Stock
VA-BL3-41x16	W/R/G/B	3	41x16	24V	1.3	1.7	53x22x22.6	50	No
VA-BL3-80x16	W/R/G/B	3	80x16	24V	2.7	3.4	92x22x22.6	80	No
VA-BL3-119x16	W/R/G/B	3	119x16	24V	4.0	5.1	131x22x22.6	100	White
VA-BL3-158x16	W/R/G/B	3	158x16	24V	5.5	6.9	170x22x22.6	120	No
VA-BL3-197x16	W/R/G/B	3	197x16	24V	6.6	8.6	209x22x22.6	150	No
VA-BL3-275x16	W/R/G/B	3	275x16	24V	6.6	12.1	287x22x22.6	210	No
VA-BL3-50x30	W/R/G/B	6	50x30	24V	1.7	2.9	62x36x22.6	80	No
VA-BL3-74x30	W/R/G/B	6	74x30	24V	2.6	4.4	86x36x22.6	100	No
VA-BL3-98x30	W/R/G/B	6	98x30	24V	3.5	5.8	110x36x22.6	120	No
VA-BL3-122x30	W/R/G/B	6	122x30	24V	4.7	6.6	134x36x22.6	140	No
VA-BL3-146x30	W/R/G/B	6	146x30	24V	5.2	8.7	158x36x22.6	160	No
VA-BL3-170x30	W/R/G/B	6	170x30	24V	6.1	10.2	182x36x22.6	180	No
VA-BL3-194x30	W/R/G/B	6	194x30	24V	7.0	12.1	206x36x22.6	200	No
VA-BL3-218x30	W/R/G/B	6	218x30	24V	7.8	13.7	230x36x22.6	220	No
VA-BL3-266x30	W/R/G/B	6	266x30	24V	9.6	16.7	278x36x22.6	260	No
VA-BL3-290x30	W/R/G/B	6	290x30	24V	10.5	18.2	302x36x22.6	280	White
VA-BL3-386x30	W/R/G/B	6	386x30	24V	14.6	25.3	398x36x22.6	370	No
VA-BL3-434x30	W/R/G/B	6	434x30	24V	16.4	28.5	446x36x22.6	410	No
VA-BL3-578x30	W/R/G/B	6	578x30	24V	21.9	38.0	590x36x22.6	530	No
VA-BL3-698x30	W/R/G/B	6	698x30	24V	28.0	40.0	710x36x22.6	680	No
VA-BL3-794x30	W/R/G/B	6	794x30	24V	30.0	42.0	806x36x22.6	700	No
VA-BL3-842x30	W/R/G/B	6	842x30	24V	35.0	46.0	854x36x22.6	760	No
VA-BL3-1202x30	W/R/G/B	6	1202x30	24V	60.0	70.0	1214x36x22.6	1080	No

*Tolerance +/- 10%

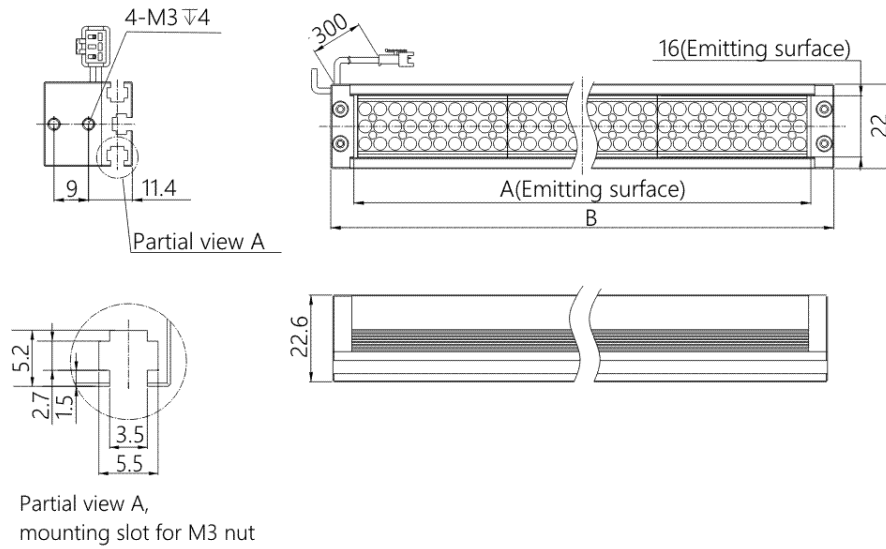
The information provided in this documentation contains general descriptions and/or technical characteristics of the performance of the products contained herein.

This documentation is not intended as a substituted for and is not to be used for determining suitability or reliability of these products for specific user applications.

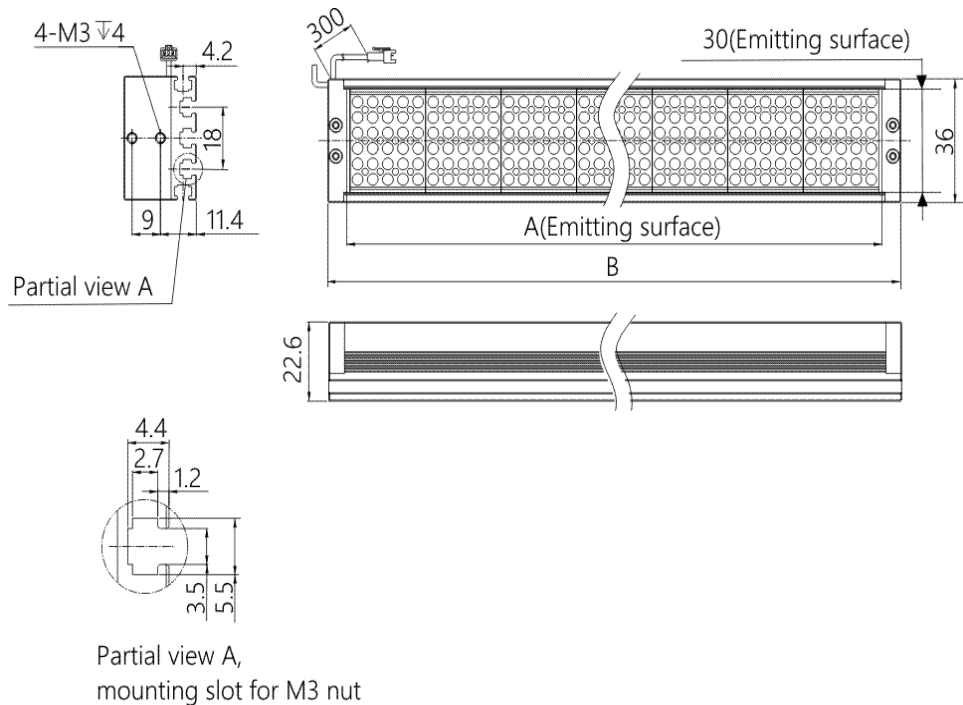
It is the duty of any such user or integrator to perform the appropriate and complete risk analysis, evaluation, and testing of the products with respect to the relevant specific application or use thereof. Neither GeT Cameras nor any of its affiliates or subsidiaries shall be responsible or liable for misuse of the information contained herein or incorrect information in this document.

Technical drawing

3 LED rows



6 LED rows



Product number

VA - BL3	-	Emitting surface	-	Color	-	Option
		41x16		W		POL
			R		
				G		
				B		
				IR		
				UV		