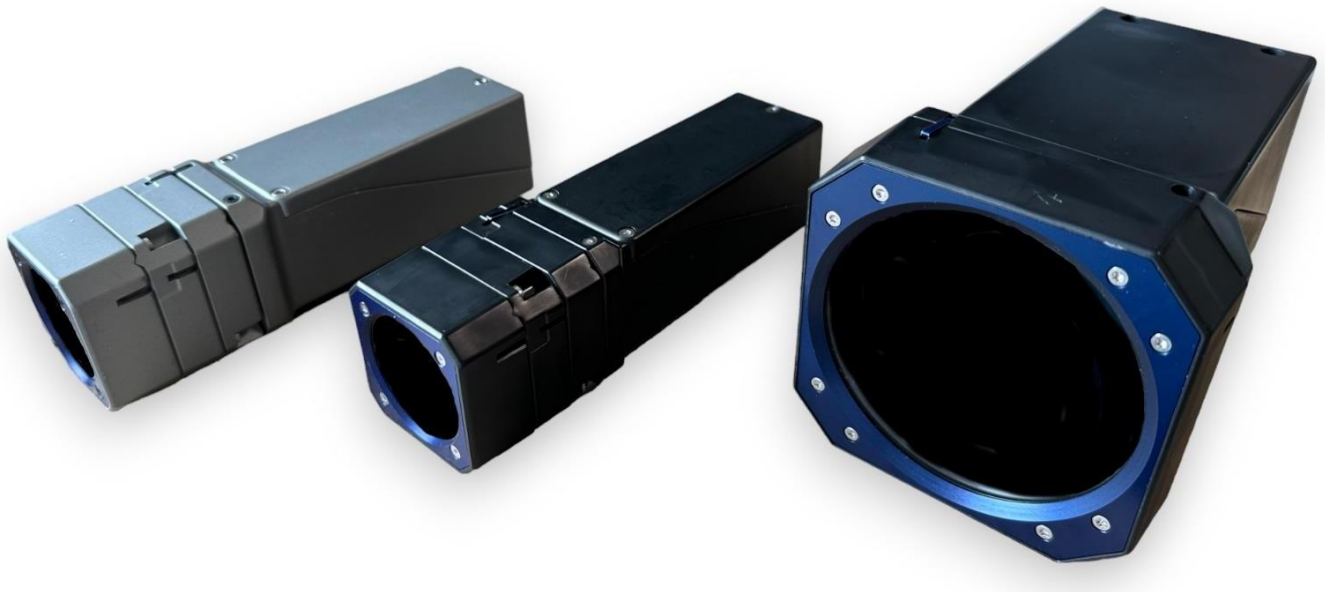


# MVEC Series

Rev 2.0



The Machine Vision Camera Housing is designed to be compatible with a wide range of machine vision camera brands, including Daheng Imaging, FLIR, IDS Imaging, Allied Vision, Basler, and many others. This versatile housing provides exceptional protection against moisture and dust, ensuring the longevity and reliability of your camera equipment in various industrial environments.

One of the key features of this housing is its ability to prevent unauthorized adjustments to lens settings, maintaining the integrity of your camera's configuration. The enclosure has undergone rigorous testing under IP67 conditions, demonstrating its durability and effectiveness when used with GigE, USB3, and I/O cables.

In addition to its protective capabilities, this housing is also the most cost-effective option on the market, offering superior value without compromising on quality. The unbranded design of the housing allows you to create brand awareness by labeling it with your own company logo, making it a customizable solution that can be tailored to your specific needs.

By incorporating this industrial machine vision camera enclosure into your setup, you can significantly enhance the robustness and reliability of your machine vision solution, ensuring optimal performance even in challenging conditions.

The information provided in this documentation contains general descriptions and/or technical characteristics of the performance of the products contained herein. This documentation is not intended as a substituted for and is not to be used for determining suitability or reliability of these products for specific user applications. It is the duty of any such user or integrator to perform the appropriate and complete risk analysis, evaluation, and testing of the products with respect to the relevant specific application or use thereof. Neither GeT Cameras nor any of its affiliates or subsidiaries shall be responsible or liable for misuse of the information contained herein or incorrect information in this document.

## Technical specifications

	VA-MVEC-167-ALU	VA-MVEC-167-IP	VA-MVEC-267-IP
<b>Material</b>			
<b>Body</b>	Aluminum	Industrial Polymer	Industrial Polymer
<b>Lens Cap Shield</b>	Aluminum	Aluminum	Aluminum
<b>Adapter Plate</b>	Aluminum	Aluminum	Aluminum
<b>Mounting Plate</b>	Aluminum	Aluminum	Aluminum
<b>Seals</b>	Rubber	Rubber	Rubber
<b>Window</b>	Gorilla Glass	Gorilla Glass	Gorilla Glass
<b>I/O Plug</b>	Industrial Polymer	Industrial Polymer	Industrial Polymer
<b>Dimensions (mm)</b>			
<b>Height</b>	55.8	55.8	101.5
<b>Width</b>	52.5	52.5	100.9
<b>Depth</b>	148.8	148.8	225.6
<b>Max. Camera Size</b>	29 x 29	29 x 29	44 x 44
<b>Max. Lens Diameter</b>	40	40	74
<b>Max Lens length</b>	105 (4 Extension Rings)	105 (4 Extension Rings)	108 (6 Extension Rings)
<b>Other</b>			
<b>Weight (gram)</b>	490		760
<b>Locking type lens tube</b>	Bayonet mounting	Bayonet mounting	Bayonet mounting
<b>IP Degree of protection</b>	IP67	IP67	IP67
<b>Included extension rings</b>	2		
<b>Device Composition</b>	Mounting plate / Heatsink Adapter plates Lens cover Lens tube extension rings Body Cable entry I/O Blank plug		
<b>Product Certifications</b>	Reach RoHs		
<b>Storage Temperature</b>	-15 ~ 40 °C		
<b>Operating Temperature (mounted on metal surface)</b>	0 ~ 45 °C		
<b>Operating Temperature (not mounted on metal surface)</b>	0 ~ 35 °C		
<b>Extras</b>	Lens tube extension rings Flat screw set Anti shatter front glass (On request)		

## Camera Lens Compatibility

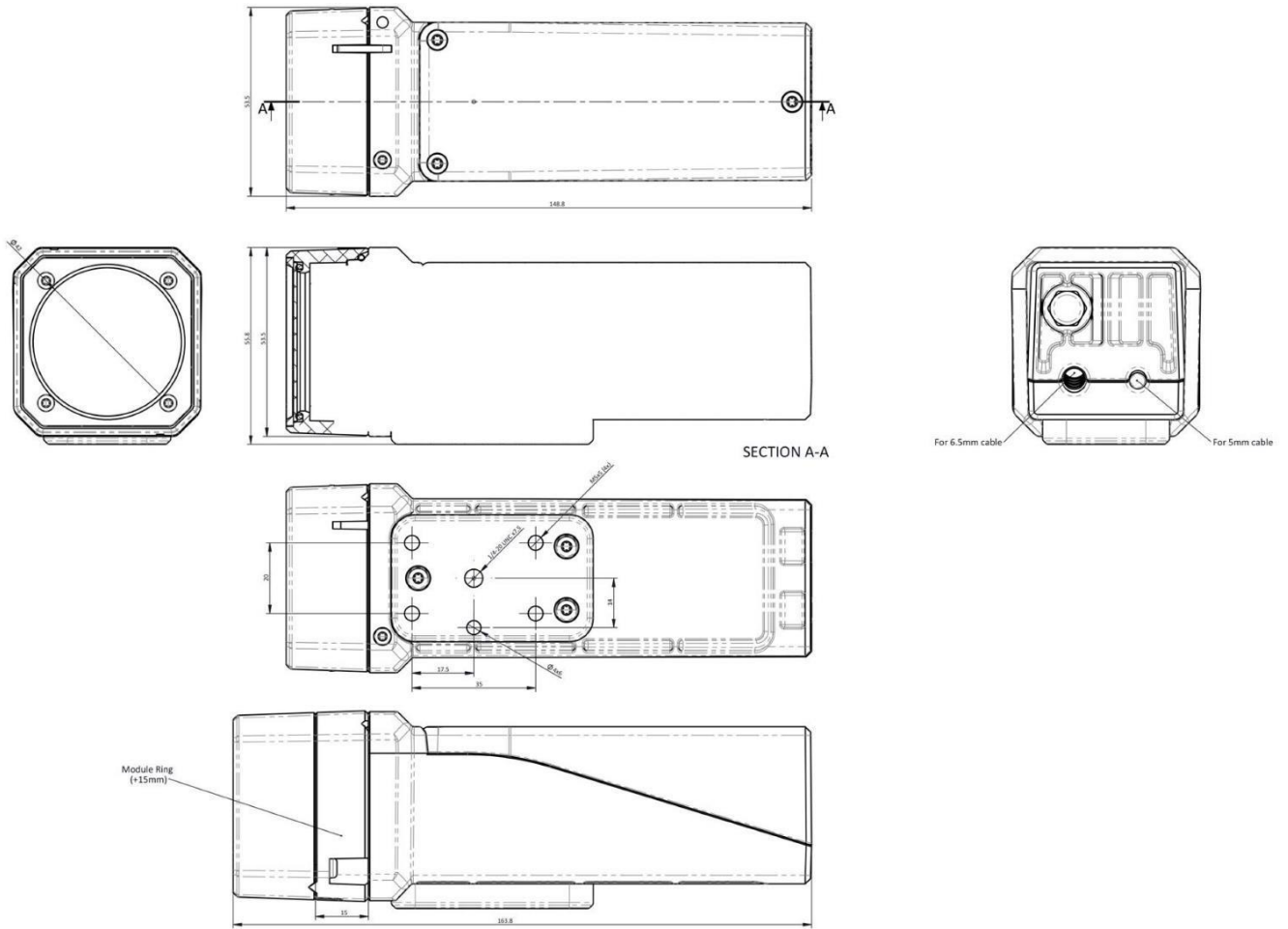
Camera Series	Lens Setup	VA-MVEC-167 (2023)	VA-MVEC-167 (2023 >)	VA-MVEC-267
<b>MER/MER2</b>	C-Mount Lens < Ø30mm	Yes	Yes	Yes
	C-Mount Lens Ø30mm >> Ø40mm	Yes (1)	Yes (1)	Yes
	C-Mount Lens > Ø40mm	No	No	Yes
	C-Mount Lens > Ø74mm	No	No	No
	M12 lens > 4MM Focal Length	Yes	Yes	Yes
	M12 lens < 4MM Focal Length	Yes (2)	Yes (2)	Yes
<b>ME2S / MER3 (2)</b>	C-Mount Lens < Ø30mm	No	No	Yes
	C-Mount Lens Ø30mm >> Ø40mm	No	Yes (1)	Yes
	C-Mount Lens > Ø40mm	No	No	Yes
	C-Mount Lens > Ø74mm	No	No	No
	1/2" Sensor > 8MM Focal Length	No	Yes (1)	Yes
	2/3" Sensor > 12MM Focal Length	No	Yes (1)	Yes
	1" Sensor > 6MM Focal Length	No	No	Yes
	1" Sensor > 16MM Focal Length	No	Yes (1)	Yes
	1.2" Sensor > 8MM Focal Length	No	No	Yes
	1.2" Sensor > 16MM Focal Length	No	Yes (1)	Yes
<b>ME2P</b>	C-Mount Lens < Ø74mm	No	No	Yes
	C-Mount Lens > Ø74mm	No	No	No
	1/2" Sensor > 4MM Focal Length	No	No	Yes
	1" Sensor > 6MM Focal Length	No	No	Yes
	1.2" Sensor > 8MM Focal Length	No	No	Yes
<b>MARS</b>	All	No	No	No
<b>VEN</b>	All	No	No	No

Flat screw set needed.

Camera can only be mounted with the front screw.

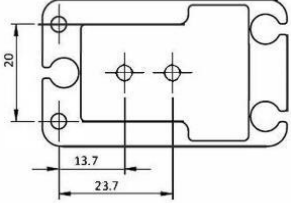
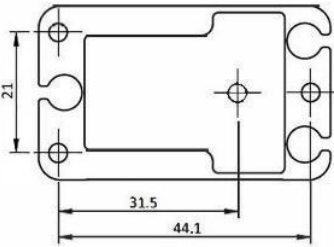
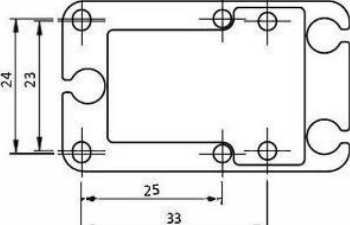
# Technical drawing

VA-MVEC-167-xx

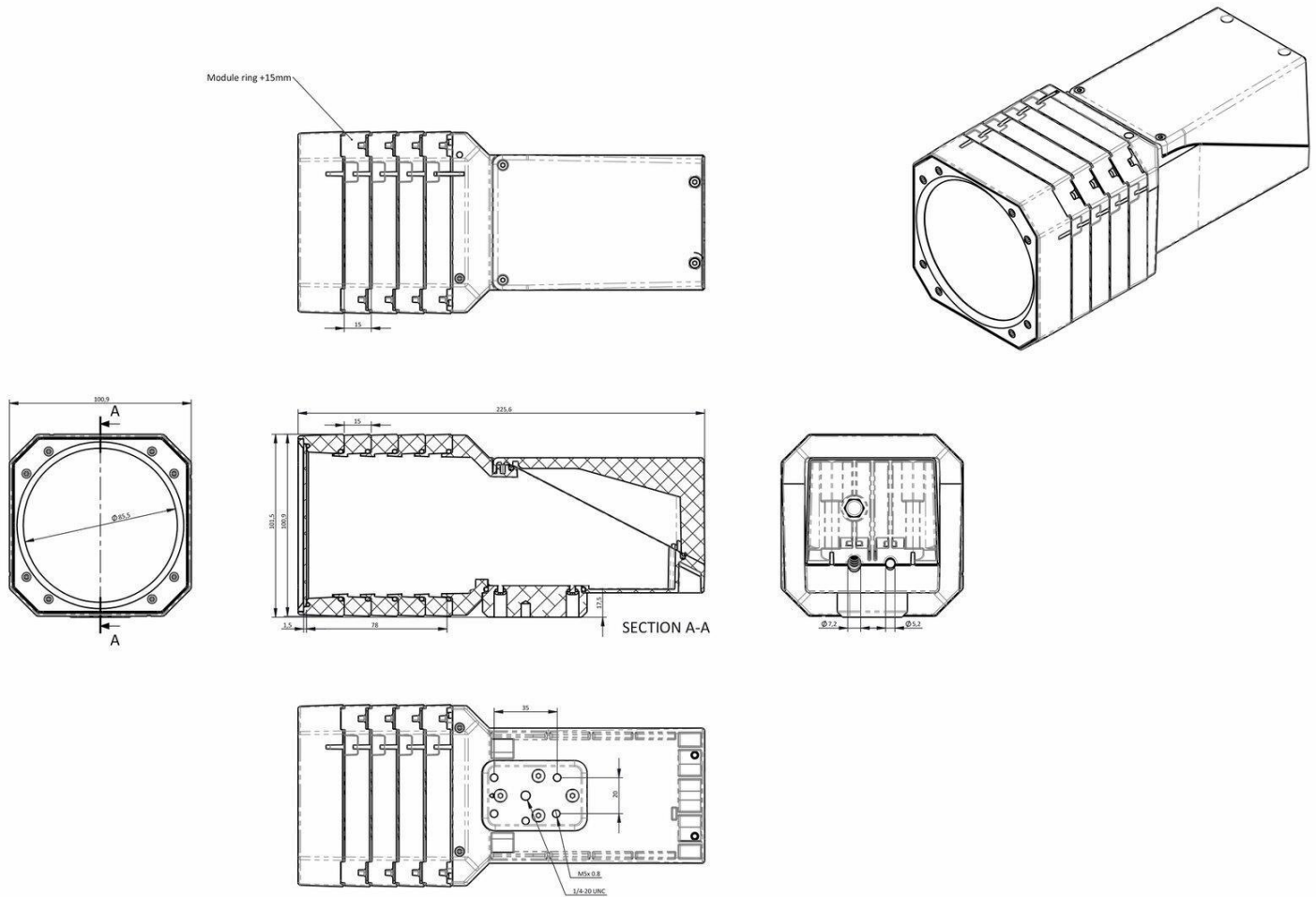


The information provided in this documentation contains general descriptions and/or technical characteristics of the performance of the products contained herein. This documentation is not intended as a substituted for and is not to be used for determining suitability or reliability of these products for specific user applications. It is the duty of any such user or integrator to perform the appropriate and complete risk analysis, evaluation, and testing of the products with respect to the relevant specific application or use thereof. Neither GeT Cameras nor any of its affiliates or subsidiaries shall be responsible or liable for misuse of the information contained herein or incorrect information in this document.

## Mounting plates

1		<p>Daheng Imaging MER / MER2 USB3  Daheng Imaging MER / MER2 / MER3 GigE also PoE Basler Ace  Classic  Basler Ace U  Flir Blackfly  USB3 Flir  Blackfly  GigE  Flir Blackfly S USB3 (or mounting plate 3 depending on exact model) Flir  Blackfly S GigE (or mounting plate 3 depending on exact model) AVT Mako  U  AVT Mako  G AVT  Alvium  U Jai  Go  Jai Go-X</p>
2		<p>Basler Ace 2 Basic Baslar Ace 2 Pro</p>
3		<p>Flir Blackfly S USB3 (or mounting plate 1 depending on exact model) Flir  Blackfly S GigE (or mounting plate 1 depending on exact model) IDS UI-  xxxxCP  IDS U3-xxxxCP IDS GV-xxxxCP</p>

## VA4-MVEC-267-xx

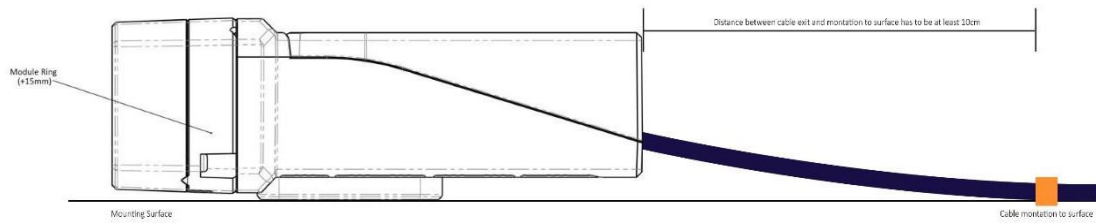


## Mounting plates

<p>1</p>	<p>Daheng: MER / MER2 series          Allied Vision: Manta, Mako, Alvium Jai: Go, Go-X          Flir: Blackfly, Blackfly-S V1 &amp; Grasshopper3 Basler Classic, Basler U</p>
<p>2</p>	<p>Daheng: ME2P series, ME2S USB, ME2S GigE, MER3 Basler Ace L</p>

The information provided in this documentation contains general descriptions and/or technical characteristics of the performance of the products contained herein. This documentation is not intended as a substituted for and is not to be used for determining suitability or reliability of these products for specific user applications. It is the duty of any such user or integrator to perform the appropriate and complete risk analysis, evaluation, and testing of the products with respect to the relevant specific application or use thereof. Neither GeT Cameras nor any of its affiliates or subsidiaries shall be responsible or liable for misuse of the information contained herein or incorrect information in this document.

## Cable mount



For all type of housings the minimal required distance cable before mounting to surface is 10cm. If the cable is under any kind of tension IP67 cannot be guaranteed.

## Product number

VA - MVEC	Series	- Material	Option
	167	ALU	IK
	267	IP	