

VA-CABLE-cat5e-xxm



GigE cable with RJ-45 plug with screws on the camera side

Highlights

- High quality and approved by Daheng Imaging
- Suitable for GigE cameras
- Screw lock for a GigE camera



Product specification

End A

Cont. Plating	Gold Flash
MOLD No.	CMS-SR43
Connector Type	8P8C Modular Plug Shield (Nickel shell, circle hole)
T Screw	-

End B

Cont. Plating	Gold Flash
MOLD No.	CMS-SR150
Connector Type	8P8C Modular Plug Shield (Nickel shell, circle hole)
T Screw	Jack Screw M2, Size: 4.0 x 21.6 x 5.0

Wires

Wires gauge	24 Awg
Shield'G	AEM
Conductors	4TP
Color	Black
Jacket Mat'L	PVC
INS.MAT'L	HD-PE
Wire O.D	6.5 mm

Conformity

UL/ CSA	Cat.5e
----------------	--------

Special requirements

Green environment protection	RoHS
Overmold PVC	45P Black (RoHS)

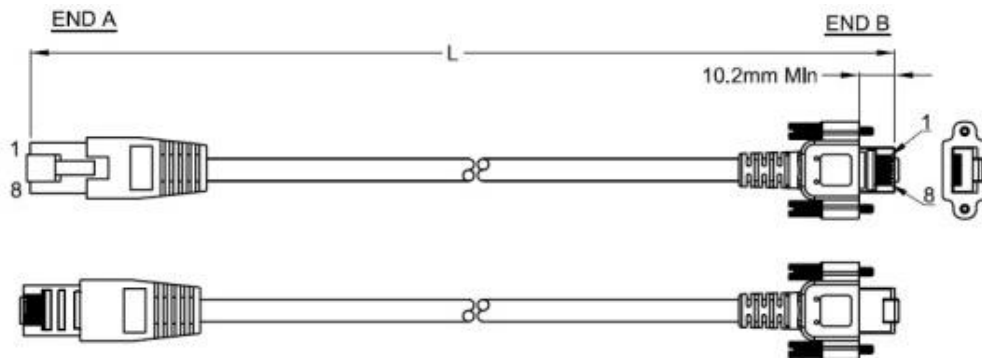
Use as flexible as possible cable

The information provided in this documentation contains general descriptions and/or technical characteristics of the performance of the products contained herein. This documentation is not intended as a substituted for and is not to be used for determining suitability or reliability of these products for specific user applications. It is the duty of any such user or integrator to perform the appropriate and complete risk analysis, evaluation, and testing of the products with respect to the relevant specific application or use thereof. Neither VA Imaging nor any of its affiliates or subsidiaries shall be responsible or liable for misuse of the information contained herein or incorrect information in this document.

Product table

Part number	Cable Length, L
VA-CABLE-cat5e-3m	3 m
VA-CABLE-cat5e-5m	5 m
VA-CABLE-cat5e-7m	7 m
VA-CABLE-cat5e-10m	10 m
VA-CABLE-cat5e-15m	15 m
VA-CABLE-cat5e-20m	20 m

Technical drawing



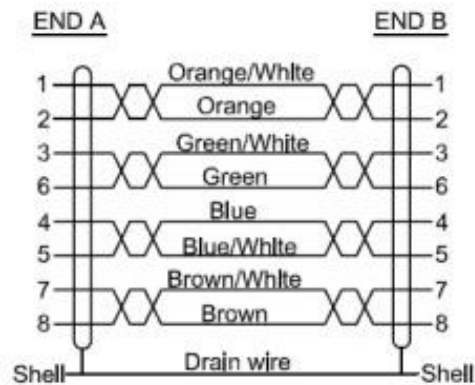
* for L parameter please refer to the Product table

Length Tolerance:

≤ 5 m ± 50 mm

>5 m ± 100 mm

Connector PIN OUT



! WARNING ! Applying excessive force as well as placing heavy weight on the cable can damage it. Treat the cable carefully and avoid excessive bending, especially when installing it.