

# VA-CABLE-USB3-xxm-90D

USB 3.0 Cable Type A To Micro-B With Screw Lock, 90 Degree angled



## Highlights

- 90 Degree connector
- Suitable for USB3 Cameras
- Screw lock for a USB3 camera
- Approved by Daheng Imaging



## Product specification

<b>End A</b>	
<b>Cont. Plating</b>	Gold 30u''
<b>MOLD No.</b>	CMS-USB40
<b>Connector Type</b>	USB-9MASS30NBU
<b>T Screw</b>	-
<b>End B</b>	
<b>Cont. Plating</b>	Gold 15u''
<b>MOLD No.</b>	CMS-USB61
<b>Connector Type</b>	USB-10MDSS15NB
<b>T Screw</b>	Jack Screw M2, Size: 3.0x20.0x5.5
<b>Wires</b>	
<b>Wires gauge</b>	28Awgx28Awgx24Awg
<b>Shield'G</b>	AB
<b>Conductors</b>	(1TP+MAE)X2+(1TP+AL)+2C
<b>Color</b>	Blue(301U)
<b>Jacket Mat'L</b>	PVC
<b>INS.MAT'L</b>	SR-PVC&FM-SKIN PE&FM-PE
<b>Wire O.D</b>	5.5 mm
<b>Conformity</b>	
<b>UL/ CSA</b>	UL2725 (USB3.0)
<b>Special requirements</b>	
<b>Green environment protection</b>	RoHS
<b>Overmold PVC</b>	45P Blue (Pantone No.:301U) (RoHS)

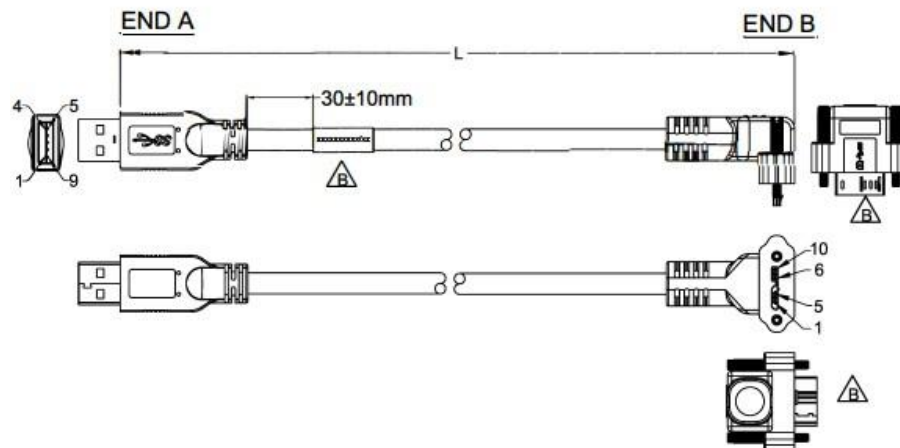
The information provided in this documentation contains general descriptions and/or technical characteristics of the performance of the products contained herein. This documentation is not intended as a substituted for and is not to be used for determining suitability or reliability of these products for specific user applications. It is the duty of any such user or integrator to perform the appropriate and complete risk analysis, evaluation, and testing of the products with respect to the relevant specific application or use thereof. Neither VA Imaging nor any of its affiliates or subsidiaries shall be responsible or liable for misuse of the information contained herein or incorrect information in this document.

## Product table

Part number	Cable Length, L
VA-CABLE-USB3-0.5m-90D	0.5 m
VA-CABLE-USB3-3m-90D	3 m

## Technical drawing

### ■ CONFIGURATION



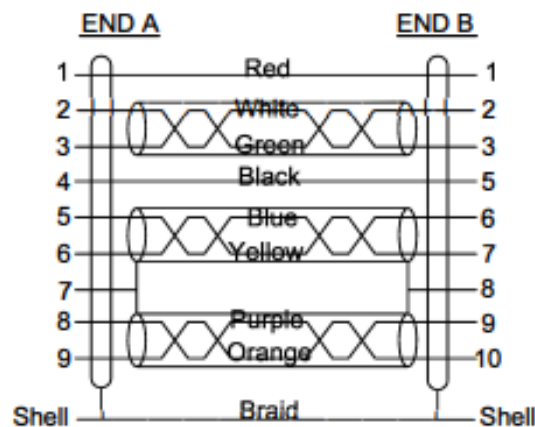
\* for L parameter please refer to the Product table

Length Tolerance:

$\leq 1 \text{ m} \pm 10 \text{ mm}$

$>1 \pm 50 \text{ mm}$

## Connector PIN OUT



**! WARNING !** Applying excessive force as well as placing heavy weight on the cable can damage it. Treat the cable carefully and avoid excessive bending, especially when installing it.

The information provided in this documentation contains general descriptions and/or technical characteristics of the performance of the products contained herein.

This documentation is not intended as a substituted for and is not to be used for determining suitability or reliability of these products for specific user applications.

It is the duty of any such user or integrator to perform the appropriate and complete risk analysis, evaluation, and testing of the products with respect to the relevant specific application or use thereof. Neither VA Imaging nor any of its affiliates or subsidiaries shall be responsible or liable for misuse of the information contained herein or incorrect information in this document.