

VA-CABLE-USB3-EXTB-0.25m-5VJST



25cm USB3.0-B extension cable Panel mount + 5V JST connector

Highlights

- High quality and approved by Daheng Imaging
- Screw lock for USB3 camera
- Additional JST connector where 5V can be extracted from the USB bus to provide power to external electronics



Product specification

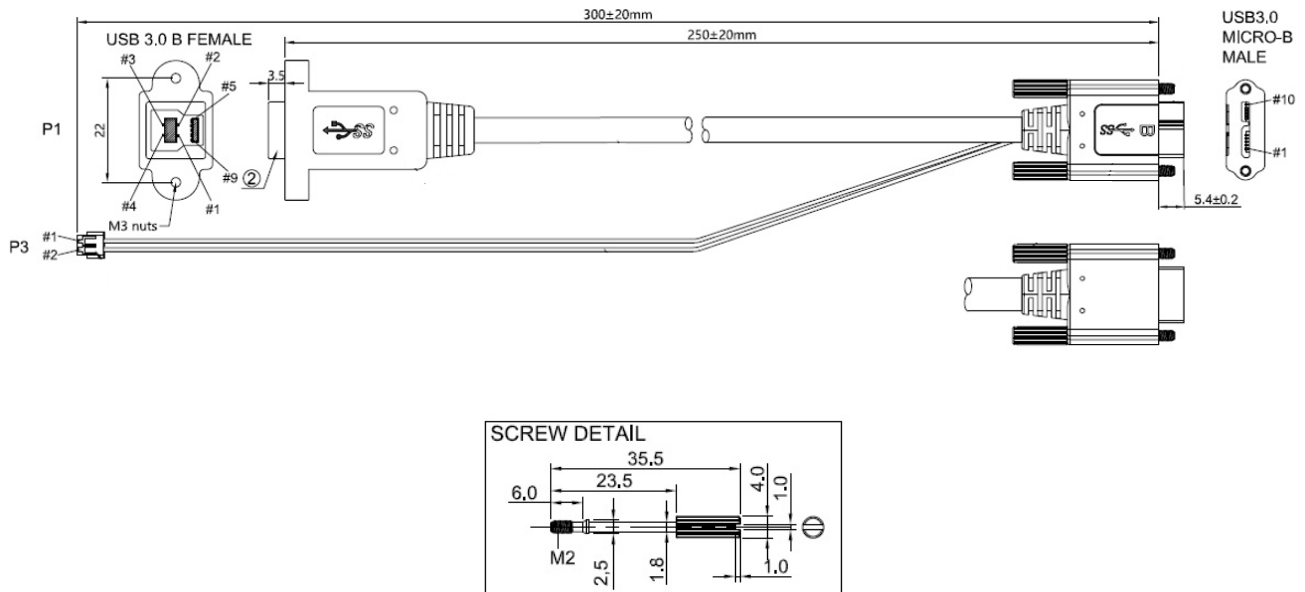
Connector (camera side)	USB 3.0, Micro- B Male, Black insulator, solder type
Connector (panel mount)	USB3.0 B, Female, Blue insulator, solder type, Outer Mold: Connector Overmold Violet PVC
Wire material	UL2725 (27AWG*1P+EAM) + (27AWG*1P+A) + (26AWG*2C+AB), OD: 5.8mm, Black PVC Jacket
JST connector Voltage	5 V
Max Power	5V @ 400mA = 2Watt
Housing	2P PITCH1.5MM WHITE HOUSING (EQUAL. ZHR-2)
Terminal	PITCH 1.5MM TIN PLATED TERMINAL
Wire material (JST)	UL1061 28 AWG (RED AND BLACK)
Screw	M2 OD: 3.5*19.8mm, Nickel plated
Test	<ul style="list-style-type: none">• 100% open and short testing• Insulation resistance 20MΩ(Min)• Voltage 300V DC/10 ms• Contact Resistance 3Ω (max)

Product table

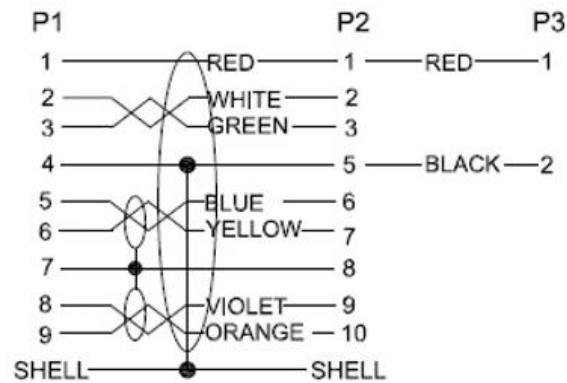
Part number	Cable Length, L
VA-CABLE-USB3-EXTB-0.25m-5VJST	0.25 m

The information provided in this documentation contains general descriptions and/or technical characteristics of the performance of the products contained herein. This documentation is not intended as a substituted for and is not to be used for determining suitability or reliability of these products for specific user applications. It is the duty of any such user or integrator to perform the appropriate and complete risk analysis, evaluation, and testing of the products with respect to the relevant specific application or use thereof. Neither VA Imaging nor any of its affiliates or subsidiaries shall be responsible or liable for misuse of the information contained herein or incorrect information in this document.

Technical drawing



Connector PIN OUT



! WARNING ! Applying excessive force as well as placing heavy weight on the cable can damage it. Treat the cable carefully and avoid excessive bending, especially when installing it.