

VA-CABLE-MVL-FCB3-xm

Light extension cable



Highlights

- High quality, industrial grade
- Designed for 24V machine vision light / illumination.



Product specification

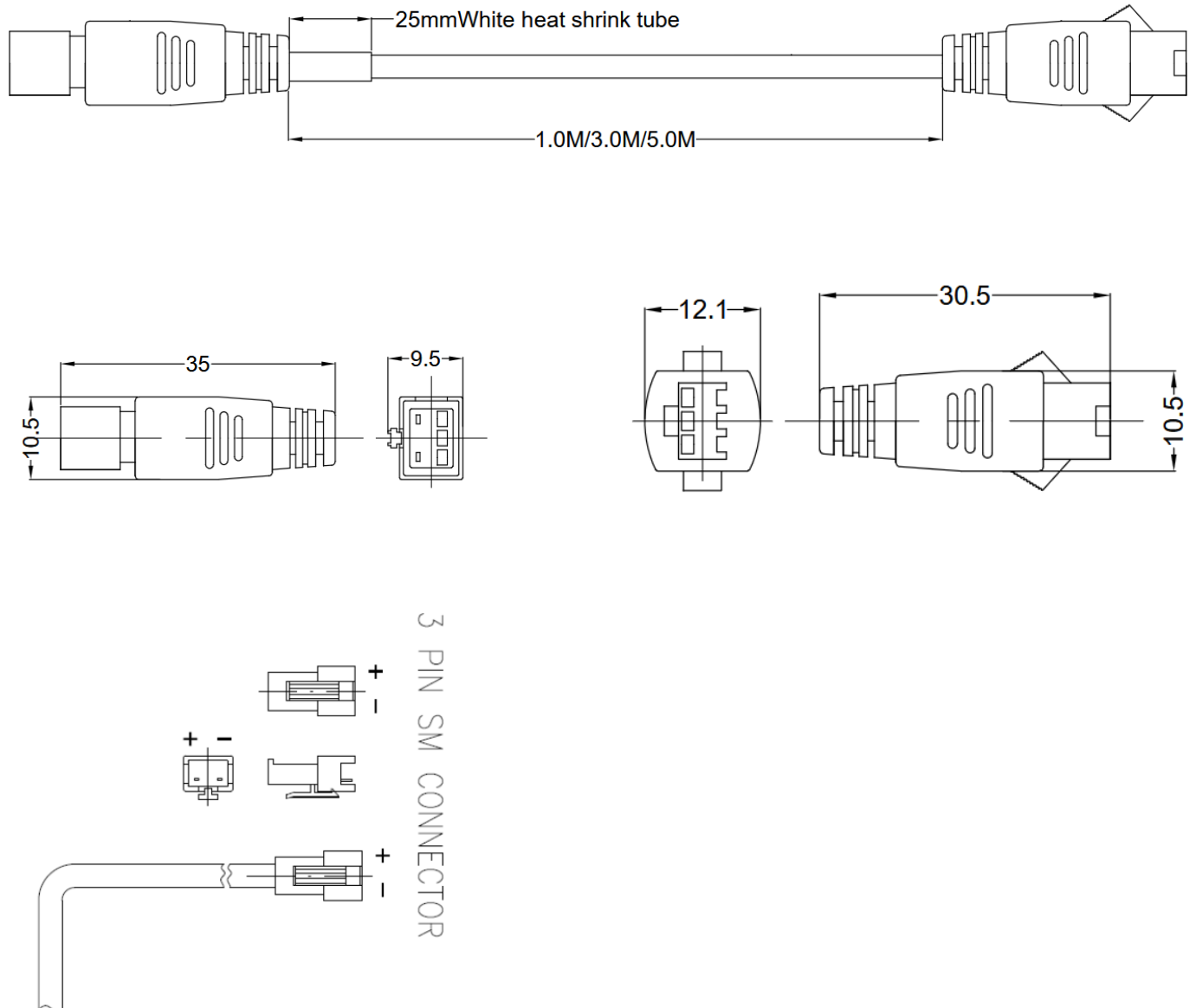
Minimum bending radius	flexing 15x cable \varnothing
Fixed installation	7,5x cable \varnothing
Jacket	PVC
Jacket Color	Black Matt
Ins.Mat.	HD-PE
Connector durability	>3000 cycles
Wires gauge	2x 22 Awg
Wires Color (Open)	Black and Red
Max Voltage	24 VDC
Operation temperature	-20°C ~ +80°C
Certification	RoHS, UL 2464

Product table

Part number	Cable Length, L
VA-CABLE-MVL-FCB3-1m	1 m
VA-CABLE-MVL-FCB3-3m	3 m
VA-CABLE-MVL-FCB3-5m	5 m

The information provided in this documentation contains general descriptions and/or technical characteristics of the performance of the products contained herein. This documentation is not intended as a substituted for and is not to be used for determining suitability or reliability of these products for specific user applications. It is the duty of any such user or integrator to perform the appropriate and complete risk analysis, evaluation, and testing of the products with respect to the relevant specific application or use thereof. Neither VA Imaging nor any of its affiliates or subsidiaries shall be responsible or liable for misuse of the information contained herein or incorrect information in this document.

Technical drawing



! WARNING ! Applying excessive force as well as placing heavy weight on the cable can damage it. Treat the cable carefully and avoid excessive bending, especially when installing it.